



Propel™ Cabling Solutions for Arista 400G Fiber Optic Transceivers

COMMScope®

ARISTA

Contents

Introduction	3
Arista 400G transceiver models	3
Connectors for Arista 400G transceiver models	3
Arista 400G direct connections using equipment cords	4
400GBase-SR8	4
400GBase-DR4/XDR4/PLR4	4
400GBase-FR4/LR4	4
Arista 400G connections using Propel structured cabling	5
400GBase-SR8	5
MPO-16 based	5
MPO-8 based	6
400GBase-DR4/XDR4/PLR4	7
MPO-16 based	7
MPO-8 based	8
400GBase-FR4/LR4	9
MPO-16 based	9
MPO-8 based	10
Arista 400G transceiver breakout options using Propel structured cabling	11
Introduction	11
400GBase-SR8 to 4x 100/200GBase-SR4	12
MPO-16 based	12
MPO-8 based	13
400GBase-SR8 to 8x 25/50GBase-SR	14
MPO-16 based	14
MPO-8 based	16
400GBase-DR4/XDR4/PLR4	18
MPO-16 based	18
MPO-8 based	20
400GBase-XDR-S & 400GBase-PLR4-S	21
MPO-16 based	21
MPO-8 based	22
400GBase-2FR4	23
MPO-16 based	23
MPO-8 based	24
Panel index	25
Propel panels	25
Propel panel capacity & adapter packs/module by size	25

Introduction

This document serves as a guide when designing a cabling system using CommScope's Propel solutions for Arista 400G Transceivers.

Shown are reference diagrams and options for application scenarios using MPO8 and MPO16 based trunk cabling or direct connect equipment cords.

Contact your CommScope representative for additional information.

Arista 400G transceiver models

Arista supports a full range of 400G optical transceivers listed in the following table:

OSFP Part Number	QSFP-DD Part Number	Reach	Fiber Type	Optical Connector	Number of Fiber Pairs	Optical Waves Per Fiber	Optical Modulation
OSFP-400G-SR8 & SR8-C	QDD-400G-SR8 & SR8-C	100m	Parallel MMF	MPO-16 Angled Connector (APC)	8	1	50G PAM-4
OSFP-400G-DR4	QDD-400G-DR4	500m	Parallel SMF	MPO-12 Angled Connector (APC)	4	1	100G PAM-4
OSFP-400G-XDR4	QDD-400G-XDR4	2km	Parallel SMF	MPO-12 Angled Connector (APC)	4	1	100G PAM-4
OSFP-400G-PLR4	QDD-400G-PLR4	10km	Parallel SMF	MPO-12 Angled Connector (APC)	4	1	100G PAM-4
OSFP-400G-FR4	QDD-400G-FR4	2km	SMF	LC	1	4	100G PAM-4
OSFP-400G-LR4	QDD-400G-LR4	10km	SMF	LC	1	4	100G PAM-4
OSFP-400G-2FR4	–	2km	SMF	2 x CS	2	4	50G PAM-4

Table 1: Arista 400G Transceivers

Connector for Arista 400G transceiver models

The following table summarizes what type of fiber termination should be used with Arista optics.

Optics Type (SMF or MMF)	Parallel or Duplex Fiber	Optical Connector	Required Fiber End Polish	Comments
SMF and MMF	Duplex	Duplex LC	PC/UPC	Duplex LC connectors are widely used and all Arista optics that use duplex LC connectors should be connected to PC/UPC fibers
SMF	Parallel	MPO-12	APC	All Arista optics with SMF MPO-12 connectors use APC fiber connections
MMF	Parallel	MPO-12	UPC	All Arista optics with MMF MPO-12 connectors use UPC fiber connections
MMF	Parallel	MPO-16	APC	The MPO-16 connector is used in the 400G-SR8 and 400G-SR8-C modules. It requires an APC termination.

Table 2: Connectors for Arista 400G Transceivers

Note: MPO-12 APC applications indicated in tables 1&2 are also supported by MPO-8 APC connectors

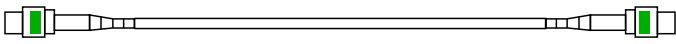
Note: The information on this page is taken from the [Arista 400G Transceivers and Cables Q&A document](#)

Arista 400G Direct Connections using Equipment Cords

400GBase-SR8

OSFP or QSFP-DD Transceiver

MPO16 multimode APC patch cord



400GBase-SR8

OSFP or QSFP-DD Transceiver

MPO16 multimode APC patch cords

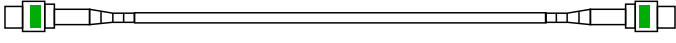
1 U	2 Q	3 X	4 R	5 V	6 R	7 V	8 7	9 R	10 -	11 M	12 A	13 F	14-16 003
Construction type U Ultra-low loss	Cable family Q Plenum array R Dual Rated (OFNR/LSZH)	Fiber type X OM4 multimode V OM5 WB multimode	Connector 1 RV 16f MPO MM APC (Non-pinned)	Connector 2 RV 16f MPO MM APC (Non-pinned)	Cordage size 7 16f PmP Array Cord, 3mm	Fiber count R 16-fiber	Color M OM4 Aqua N OM5 Lime Green	Breakout length A No gland	UOM F Feet M Meter	Length 010-999 ft 003-305 m			

Select options for final part number

400GBase-DR4/XDR4/PLR4

OSFP or QSFP-DD Transceiver

MPO8 singlemode patch cord



400GBase-DR4/XDR4/PLR4

OSFP or QSFP-DD Transceiver

MPO8 singlemode patch cords


1 U	2 Q	3 G	4 Q	5 P	6 Q	7 P	8 F	9 8	10 -	11 J	12 A	13 F	14-16 003
Construction type U Ultra-low loss	Cable family Q Plenum array R Dual Rated (OFNR/LSZH)	Fiber type G Singlemode (AZ)	Connector 1 QP 8f MPO SM APC (Non-pinned)	Connector 2 QP 8f MPO SM APC (Non-pinned)	Cordage size F 8f PmP Array Cord, 2mm	Fiber count 8 8-fiber	Color J Yellow	Breakout length A No gland	UOM F Feet M Meter	Length 010-999 ft 003-305 m			

Select options for final part number

400GBase-FR4/LR4

OSFP or QSFP-DD Transceiver

LC Duplex singlemode patch cord



400GBase-FR4/LR4

OSFP or QSFP-DD Transceiver

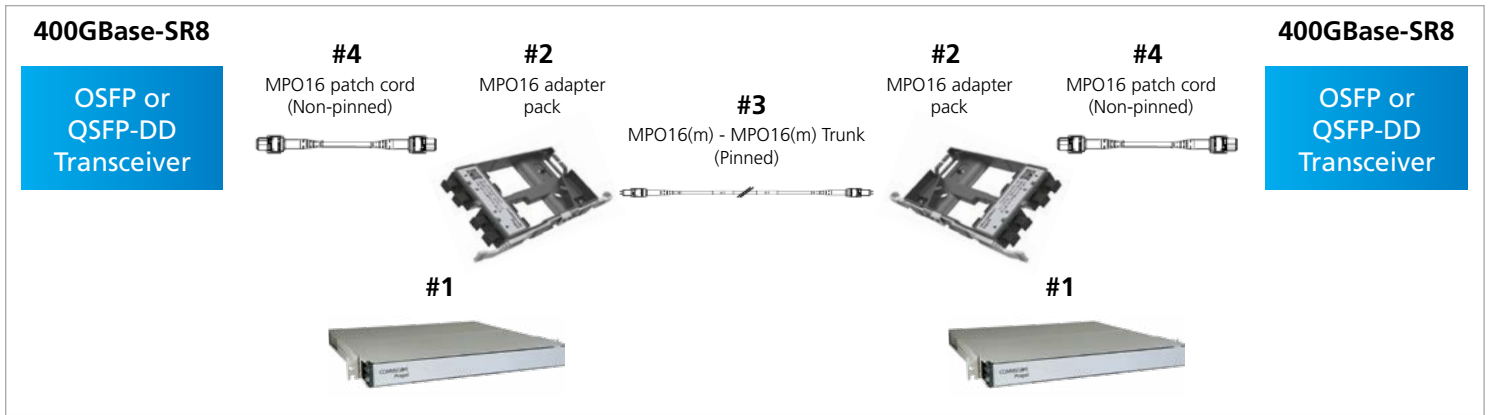
SYSTIMAX Uniboot patch cords

1 U	2 D	3 G	4 L	5 U	6 6	7 2	8 -	9 X	10 F	11-12 010
Construction type U Ultra-low loss	Cable family D Plenum F LSZH/Riser	Fiber type G Singlemode (AZ)	Connector 1 LU LC Uniboot	Connector 2 LU LC Uniboot	Cordage size K 1.5mm 6 2.0mm	Fiber count 2 2-fiber	Color J Yellow	Breakout length X No gland	UOM F Feet M Meter	Length 2-200 Feet 1-061 Meter

Select options for final part number

Arista 400G Connections using the Propel Cabling System

400GBase-SR8 MPO-16 Based



Item #1 Propel Patch Panels (see chapter Technical Information)

Item #2

	Material ID	Product Number	Description	Fiber Type	Fiber Count	Front Interface	Rear Interface
16-fiber adapter packs							
9 per 1RU	760252804	PPL-AP-8-MPO16-ALL-B	Propel pass-through adapter pack, Type B	All	128	8 MPO16 Key Up with dust caps	8 MPO16 Key Up with dust caps
18 per 1 RU	760252806	PPL-AP-4-MPO16-ALL-B	Propel pass-through adapter pack, Type B	All	64	4 MPO16 Key Up with dust caps	4 MPO16 Key Up with dust caps
12 per 1 RU	760252805	PPL-AP-6-MPO16-ALL-B	Propel pass-through adapter pack, Type B	All	96	6 MPO16 Key Up with dust caps	6 MPO16 Key Up with dust caps
6 per 1RU	760252803	PPL-AP-12-MPO16-ALL-B	Propel pass-through adapter pack, Type B	All	192	12 MPO16 Key Up with dust caps	12 MPO16 Key Up with dust caps

Select options for final part number

Item #3 MPO16 multimode APC trunk cables

1 U	2 G	3 X	4 R	5 Z	6 R	7 Z	8 8	9 R	10 -	11 M	12 J	13 F	14-16 010
Construction type U Ultra-low loss	Cable family 3 Trunk, LSZH CPR B2ca G Trunk, Plenum Rated (OFNRLSZH)	Fiber type X OM4 multimode V OM5 WB multimode	Connector 1 RZ 16f MPO MM APC (Pinned)	Connector 2 RZ 16f MPO MM APC (Pinned)	Cordage size 8 16f PmP Trunk, 3.0mm SU	Fiber count R 16-fiber S 32-fiber H 48-fiber U 64-fiber L 96-fiber Q 128-fiber M 144-fiber N 192-fiber	Color M OM4 Aqua N OM5 Lime green	Breakout length J 22" Break Propel No Pull Grip K 22" Break Propel Pull Grip	UOM F Feet M Meter	Length 010-999 ft 003-305 m			

Select options for final part number

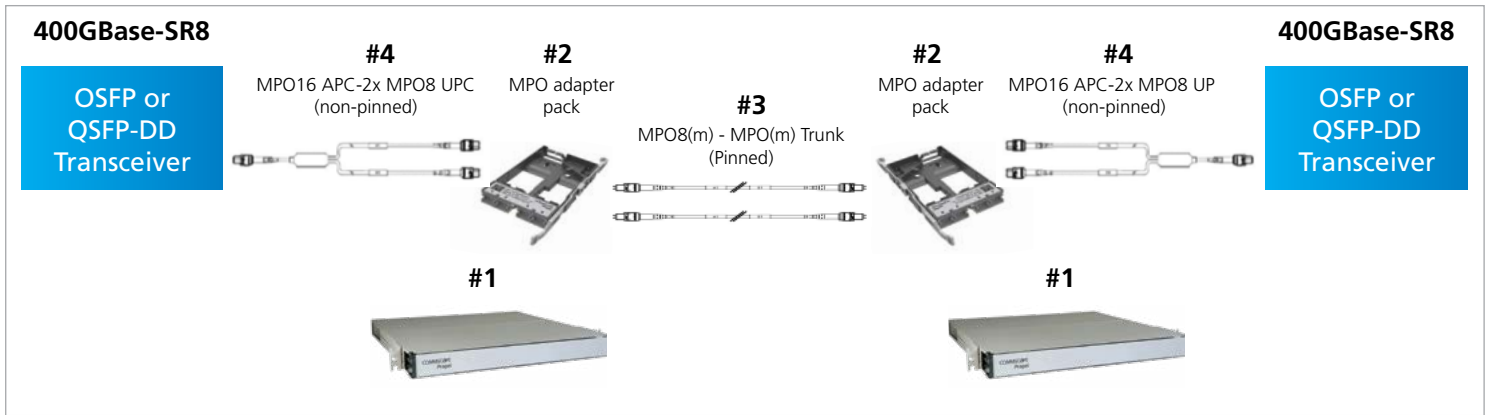
Item #4 MPO16 multimode APC patch cords

1 U	2 Q	3 X	4 R	5 V	6 R	7 V	8 7	9 R	10 -	11 M	12 A	13 F	14-16 003
Construction type U Ultra-low loss	Cable family Q Plenum Array R Dual Rated (OFNRLSZH)	Fiber type X OM4 multimode V OM5 WB multimode	Connector 1 RV 16f MPO MM APC (Non-Pinned)	Connector 2 RV 16f MPO MM APC (Non-Pinned)	Cordage size 7 16f PmP Array Cord, 3mm	Fiber count R 16-fiber	Color M OM4 Aqua N OM5 Lime green	Breakout length A No gland	UOM F Feet M Meter	Length 003-999 ft 001-305 m			

Select options for final part number

Arista 400G Connections using the Propel Cabling System

400GBase-SR8 MPO-8 Based



Item #1 Propel Patch Panels (see chapter Technical Information)

Item #2

	Material ID	Product Number	Description	Fiber Type	Fiber Count	Front Interface	Rear Interface
8-fiber adapter packs							
18 per 1RU	760252371	PPL-AP-4-MPO-ALL-B	Propel pass-through adapter pack, Type B	All	32	4 MPO8 Key Up with internal shutters	4 MPO8 Key Up with dust caps

Item #3 MPO8 multimode UPC trunk cables

1 U	2 G	3 X	4 Q	5 X	6 Q	7 X	8 T	9 8	10 -	11 M	12 J	13 F	14-16 010
Construction type U Ultra-low loss	Cable family 3 Trunk, LSZH CPR B2ca G Trunk, Plenum J Trunk, Dual Rated (OFNR/LSZH)	Fiber type X OM4 multimode V OM5 WB multimode	Connector 1 QX 8f MPO MM UPC (Pinned)	Connector 2 QX 8f MPO MM UPC (Pinned)	Cordage size T 8f PmP Trunk, 2.0mm SU	Fiber count 8 8-fiber R 16-fiber F 24-fiber S 32-fiber H 48-fiber U 64-fiber K 72-fiber L 96-fiber M 144-fiber N 192-fiber	Color M OM4 Aqua N OM5 Lime green	Breakout length J 22" Break Propel No Pull Grip K 22" Break Propel Pull Grip	UOM F Feet M Meter	Length 010-999 ft 003-305 m			

Select options for final part number

Item #4 MPO16 multimode APC conversion array cords

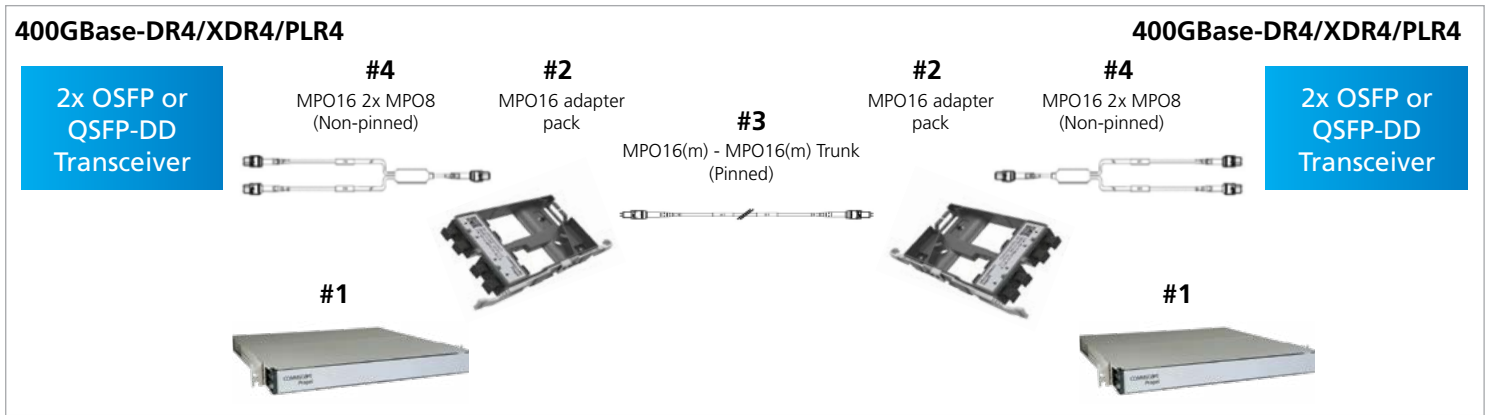
1 U	2 Q	3 X	4 R	5 V	6 Q	7 P	8 7	9 R	10 -	11 M	12 D	13 F	14-16 003
Construction type U Ultra-low loss	Cable family Q Plenum Array R Dual Rated (OFNR/LSZH)	Fiber type X OM4 multimode V OM5 WB multimode	Connector 1 RV 16f MPO MM APC (Non-Pinned)	Connector 2 QP 8f MPO MM UPC (Non-Pinned)	Cordage size 7 16f PmP Array Cord, 3mm	Fiber count R 16-fiber	Color M OM4 Aqua N OM5 Lime green	Breakout length D 12" E 24" H 48" L 72"	UOM F Feet M Meter	Length 12 in 3-999 ft 24 in 4-999 ft 48 in 6-999 ft 72 in 8-999 ft 12 in 1-305 m 24-48 in 2-305 m 72 in 3-305 m			

Select options for final part number

Arista 400G Connections using the Propel Cabling System

400GBase-DR4/XDR4/PLR4

MPO-16 Based



Item #1 Proprietary Patch Panels (see chapter Technical Information)

Item #2

	Material ID	Product Number	Description	Fiber Type	Fiber Count	Front Interface	Rear Interface
16-fiber adapter packs							
9 per 1RU	760252804	PPL-AP-8-MPO16-ALL-B	Proprietary pass-through adapter pack, Type B	All	128	8 MPO16 Key Up with dust caps	8 MPO16 Key Up with dust caps
18 per 1 RU	760252806	PPL-AP-4-MPO16-ALL-B	Proprietary pass-through adapter pack, Type B	All	64	4 MPO16 Key Up with dust caps	4 MPO16 Key Up with dust caps
12 per 1 RU	760252805	PPL-AP-6-MPO16-ALL-B	Proprietary pass-through adapter pack, Type B	All	96	6 MPO16 Key Up with dust caps	6 MPO16 Key Up with dust caps
6 per 1RU	760252803	PPL-AP-12-MPO16-ALL-B	Proprietary pass-through adapter pack, Type B	All	192	12 MPO16 Key Up with dust caps	12 MPO16 Key Up with dust caps

Item #3 MPO16 singlemode APC trunk cables

1 U	2 G	3 G	4 R	5 X	6 R	7 X	8 8	9 R	10 -	11 J	12 J	13 F	14-16 010
Construction type U Ultra-low loss	Cable family 3 Trunk, LSZH CPR B2ca G Trunk, Plenum J Trunk, Dual Rated (OFNR/LSZH)	Fiber type G Singlemode (A2)	Connector 1 RX 16f MPO SM APC (Pinned)	Connector 2 RX 16f MPO SM APC (Pinned)	Cordage size 8 16f PmP Trunk, 3.0mm SU	Fiber count R 16-fiber S 32-fiber H 48-fiber U 64-fiber L 96-fiber Q 128-fiber M 144-fiber N 192-fiber	Color J Yellow	Breakout length J 22" Break Proprietary No Pull Grip K 22" Break Proprietary Pull Grip	UOM F Feet M Meter	Length 010-999 ft 003-305 m			

Select options for final part number

Item #4 MPO16 singlemode APC conversion array cords

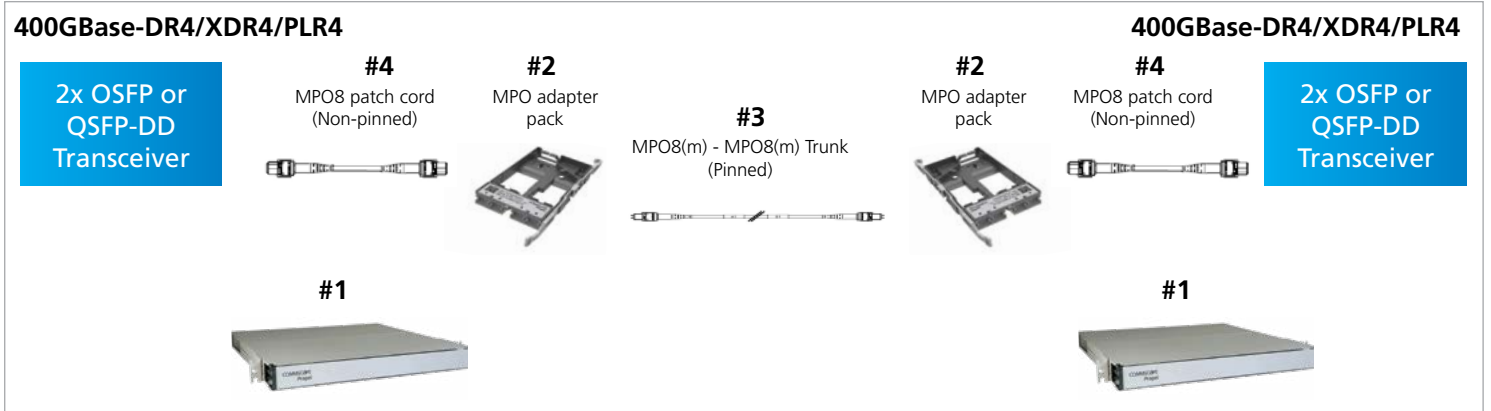
1 U	2 Q	3 G	4 R	5 P	6 Q	7 P	8 7	9 R	10 -	11 J	12 D	13 F	14-16 003
Construction type U Ultra-low loss	Cable family Q Plenum Array R Dual Rated (OFNR/LSZH)	Fiber type G Singlemode (A2)	Connector 1 RP 16f MPO SM APC (Non-Pinned)	Connector 2 QP 8f MPO SM APC (Non-Pinned)	Cordage size 7 16f PmP Array Cord, 3mm	Fiber count R 16-fiber	Color J Yellow	Breakout length D 12" E 24" H 48" L 72"	UOM F Feet M Meter	Length 12 in 3-999 ft 24 in 4-999 ft 48 in 6-999 ft 72 in 8-999 ft 12 in 1-305 m 24-48 in 2-305 m 72 in 3-305 m			

Select options for final part number

Arista 400G Connections using the Propel Cabling System

400GBase-DR4/XDR4/PLR4

MPO-8 Based



Item #1 Propel Patch Panels (see chapter Technical Information)

Item #2

	Material ID	Product Number	Description	Fiber Type	Fiber Count	Front Interface	Rear Interface
8-fiber adapter packs							
18 per 1RU	760252371	PPL-AP-4-MPO-ALL-B	Propel pass-through adapter pack, Type B	All	32	4 MPO8 Key Up with internal shutters	4 MPO8 Key Up with dust caps

Item #3 MPO8 singlemode APC trunk cables

1 U	2 G	3 G	4 Q	5 X	6 Q	7 X	8 T	9 8	10 -	11 J	12 J	13 F	14-16 010
Construction type U Ultra-low loss	Cable family 3 Trunk, LSZH CPR B2ca G Trunk, Plenum J Trunk, Dual Rated (OFNR/LSZH)	Fiber type G Singlemode (A2)	Connector 1 QX 8f MPO SM APC (Pinned)	Connector 2 QX 8f MPO SM APC (Pinned)	Cordage size T 8f PmP Trunk, 2.0mm SU	Fiber count 8 8-fiber R 16-fiber F 24-fiber S 32-fiber H 48-fiber U 64-fiber K 72-fiber L 96-fiber M 144-fiber N 192-fiber	Color J Yellow	Breakout length J 22" Break Propel No Pull Grip K 22" Break Propel Pull Grip	UOM F Feet M Meter	Length 010-999 ft 003-305 m	Select options for final part number		

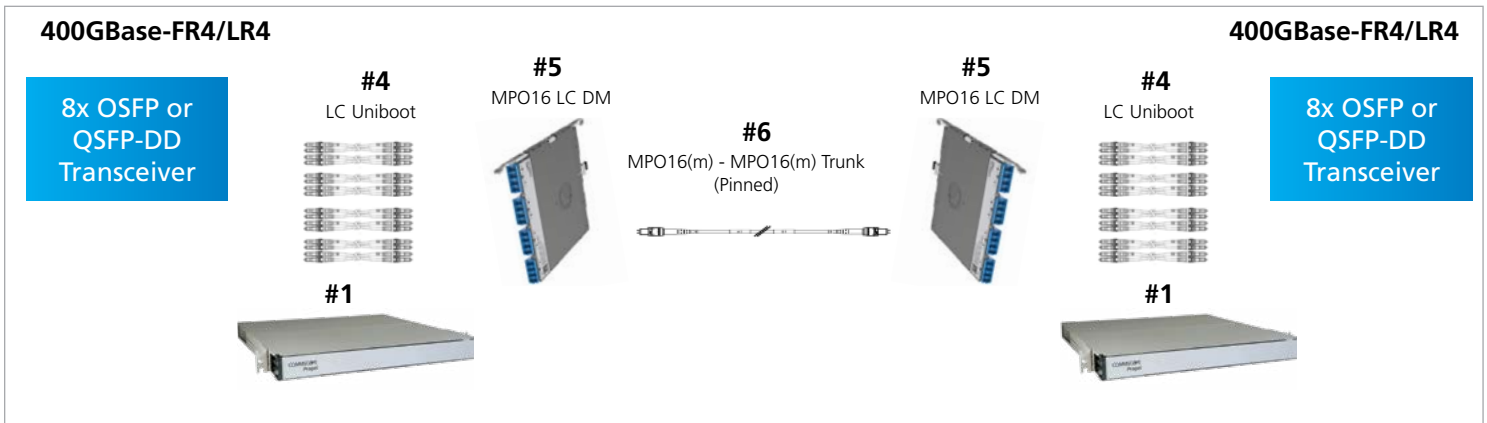
Item #4 MPO8 singlemode APC patch cord

1 U	2 Q	3 G	4 Q	5 P	6 Q	7 P	8 F	9 8	10 -	11 J	12 A	13 F	14-16 010
Construction type U Ultra-low loss	Cable family Q Plenum Array R Dual Rated (OFNR/LSZH)	Fiber type G Singlemode (A2)	Connector 1 QP 8f MPO SM APC (Non-pinned)	Connector 2 QP 8f MPO SM APC (Non-pinned)	Cordage size F 8f PmP Array Cord, 2mm	Fiber count 8 8-fiber	Color J Yellow	Breakout length A No Gland	UOM F Feet M Meter	Length 003-999 ft 001-305 m	Select options for final part number		

Arista 400G Connections using the Propel Cabling System

400GBase-FR4/LR4

MPO-16 Based



Item #1 Propel Patch Panels (see chapter Technical Information)

Item #4 SYSTIMAX Uniboot patch cords

1 U	2 D	3 G	4 L U	5 L U	6 6	7 - 8 2 - J	9 X	10 F	11-12 010	
Construction type U Ultra-low loss	Cable family D Plenum F LSZH/Riser	Fiber type G Singlemode (A2)	Connector 1 LU LC Uniboot	Connector 2 LU LC Uniboot	Cordage size K 1.5mm 6 2.0mm	Fiber count 2 2-fiber	Color J Yellow	Breakout length X No gland	UOM F Feet M Meter	Length 2-200 Feet 1-061 Meter

Select options for final part number

Item #5

	Material ID	Product Number	Description	Fiber Type	Fiber Count	Front Interface	Rear Interface
MPO16 modules							
9 per 1RU	760252352	PPL-DM-16AU-16LC-SM-BEU	Propel ULL Distribution Module, Method B Enhanced	OS2	16	8 duplex LCs with internal shutters	1 MPO16/APC non-pinned with dust cap

Item #6 MPO16 singlemode APC trunk cables

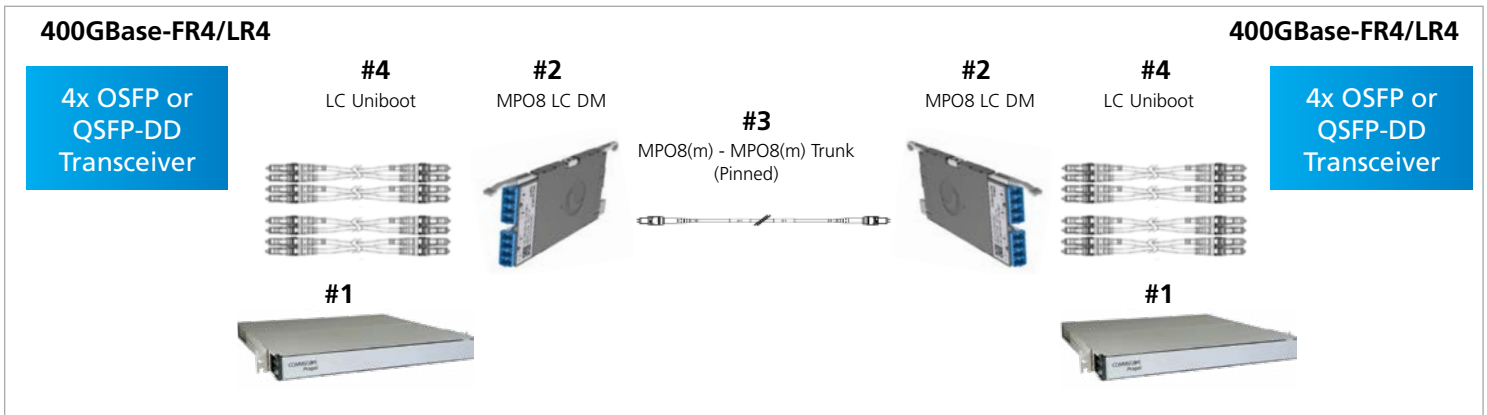
1 U	2 G	3 G	4 R X	5 R X	6 8	7 8	8 8	9 R	10 -	11 J	12 J	13 F	14-16 010
Construction type U Ultra-low loss	Cable family 3 Trunk, LSZH CPR B2ca G Trunk, Plenum J Trunk, Dual Rated (OFNR/LSZH)	Fiber type G Singlemode (A2)	Connector 1 RX 16f MPO SM APC (Pinned)	Connector 2 RX 16f MPO SM APC (Pinned)	Cordage size 8 16f PmP Trunk, 3.0mm SU	Fiber count R 16-fiber S 32-fiber H 48-fiber U 64-fiber L 96-fiber Q 128-fiber M 144-fiber N 192-fiber	Color J Yellow	Breakout length J 22" Break Propel No Pull Grip K 22" Break Propel Pull Grip	UOM F Feet M Meter	Length 010-999 ft 003-305 m			

Select options for final part number

Arista 400G Connections using the Propel Cabling System

400GBase-FR4/LR4

MPO-8 Based



Item #1 Propel Patch Panels (see chapter Technical Information)

Item #2

	Material ID	Product Number	Description	Fiber Type	Fiber Count	Front Interface	Rear Interface
MPO8 Modules with MPO in singlemode							
18 per 1RU	760252334	PPL-DM-8AU-8LC-SM-BEU	Propel ULL Distribution Module, Method B Enhanced	OS2	8	4 duplex LCs with internal shutters	1 MPO8/APC non-pinned with internal shutter

Item #3 MPO8 singlemode APC trunk cables

1 U	2 G	3 G	4 Q	5 X	6 Q	7 X	8 T	9 8	10 -	11 J	12 J	13 F	14-16 010
Construction type U Ultra-low loss	Cable family 3 Trunk, LSZH CPR B2ca G Trunk, Plenum J Trunk, Dual Rated (OFNR/LSZH)	Fiber type G Singlemode (A2)	Connector 1 QX 8f MPO SM APC (Pinned)	Connector 2 QX 8f MPO SM APC (Pinned)	Cordage size T 8f PmP Trunk, 2.0mm SU		Fiber count 8 8-fiber R 16-fiber F 24-fiber S 32-fiber H 48-fiber U 64-fiber K 72-fiber L 96-fiber M 144-fiber N 192-fiber	Color J Yellow	Breakout length J 22" Break Propel No Pull Grip K 22" Break Propel Pull Grip		UOM F Feet M Meter	Length 010-999 ft 003-305 m	

Select options for final part number

Item #4 SYSTIMAX Uniboost patch cords

1 U	2 D	3 G	4 L	5 L	6 6	7 2	8 -	9 X	10 F	11-12 010
Construction type U Ultra-low loss	Cable family D Plenum F LSZH/Riser	Fiber type G Singlemode (A2)	Connector 1 LU LC Uniboost	Connector 2 LU LC Uniboost	Cordage size K 1.5mm 6 2.0mm	Fiber count 2 2-fiber	Color J Yellow	Breakout length X No gland	UOM F Feet M Meter	Length 2-200 Feet 1-061 Meter

Select options for final part number

Arista 400G Transceiver Breakout Options using the Propel Cabling System

Arista 400G transceiver breakout options

The tables below summarize the breakout options for 400G OSFP and QSFP-DD ports. In the tables below, the term “near end” transceiver refers to the transceiver / cable plugged into the OSFP or QSFP-DD port, and the “remote end” refers to the “broken out” transceiver / cable connected to the QSFP or SFP port. For completeness, these tables include breakouts to the 100G QSFP ports already described above.

Near End Port	Near End Port Configuration	Fiber Type	Number of Fiber Pairs	Number of Waves/Fiber	Optical Modulation	Remote End
OSFP (QDD)-400G-SR8	2x 100G-4*	Parallel MMF, 100m	8	1	25G NRZ	2x QSFP-100G-SR4
	2x 200G-4*	Parallel MMF, 100m	8	1	50G PAM-4	2x 200GBASE-SR4 QSFP modules
OSFP (QDD)-400G-SR8-C all SR8 breakout modes + breakout int 8x 50G and 25G	8x 50G	Parallel MMF, 100m	8	1	50G PAM-4	8x 50G-SR modules
	8x 25G*	Parallel MMF, 100m	8	1	25G NRZ	8x 25G-SR modules
OSFP (QDD)-400G-DR4/XDR4/PLR4	4x 100G-2	Parallel SMF, 500m/2km/10km	4	1	100G PAM-4	4x QSFP-100G-DR/FR/LR
OSFP (QDD)-400G-XDR4-S/PLR4-S	4x 100G-2	Parallel SMF, 500m/2km/10km	4	1	100G PAM-4	4x QSFP-100G-DR/FR/LR
QSFP-400G-2FR4	2x 200G-4	2x duplex SMF, 2km	2	4	50G PAM-4	2x 200GBASE-FR4 QSFP modules
	2x 100G-4*	2x duplex SMF, 2km	2	4	25G NRZ	2x QSFP-100G-CWDM4

* The QSFP/QSFP-DD port is configured for an aggregate bandwidth of 200G (instead of 400G)

Table 3: Arista 400G Transceivers Breakout Options

What do the suffixes “SR8, SR8-C, DR4 / XDR4 / PLR4, FR4 / LR4 and 2FR4” stand for?

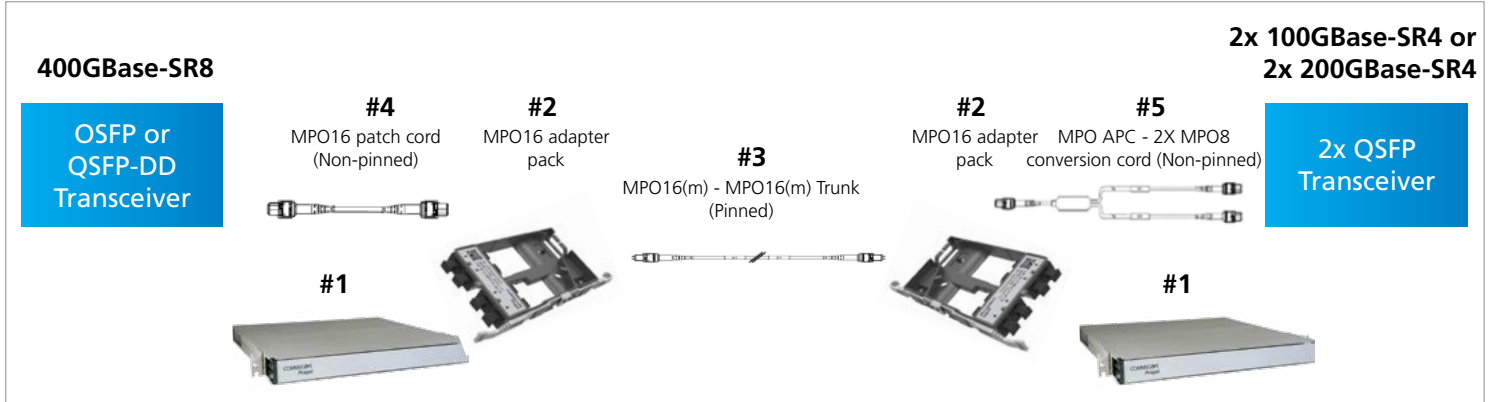
- **SR8:** “SR” refers to 100m reach using multimode fiber, and “8” implies there are 8 optical channels. Each of the 8 optical channels from an SR8 module are carried on separate fibers, resulting in a total of 16 fibers (8 Tx and 8 Rx). Each optical channel operates at 50Gb/s. The SR8 module uses an MPO16 connector to connect to 8 fiber pairs. The SR8 module can be configured for 400G-SR8, 2x 200G-SR4 and (operating at 1/2 rate) 2x 100G-SR4.
- **SR8-C:** Arista’s 400G-SR8-C transceivers include all the functionality of the 400G-SR8 transceiver, plus the ability to be configured as 8x 50G-SR or 8x 25G-SR (“Channelized” configuration).
- **DR4, XDR4 and PLR4:** “DR” / “XDR” / “LR” refer to 500m / 2km / 10km reach using signlemode fiber, and “4” implies there are 4 optical channels. Each of the 4 optical channels operates at 100Gb/s.
- **FR4 / LR4:** “FR” / “LR” refers to 2km / 10km reach using singlemode fiber, and “4” implies there are 4 optical channels. Unlike the DR4 and SR8, all 4 optical channels from and FR4 / LR4 are multiplexed onto one fiber, resulting in a total of 2 fibers from the module (1 Tx and 1 Rx). Each optical channel operates at 100Gb/s. The modules use a duplex LC optical connector.
- **2FR4:** The “2FR4” refers to 2x 200G-FR4 links, and has a reach of 2km using singlemode fiber. Each of the 200G FR4 links has 4 optical channels, multiplexed onto one fiber pair (1 Tx and 1 Rx per 200G link). A 400G-2FR4 module has 2 of these links, resulting in a total of two pairs of singlemode fiber (or 4 fibers total), and a total of 8 optical channels. Each optical channel operates at 50Gb/s. The 2FR4 module uses a dual CS connector to connect to 2 fiber pairs.

Note: The information on this page is taken from the [Arista 400G Transceivers and Cables Q&A document](#)

Arista 400G Transceiver Breakout Options using the Propel Cabling System

400GBase-SR8 to 2 x 100/200GBase-SR4

MPO-16 Based



Item #1 Propel Patch Panels (see chapter Technical Information)

Item #2

	Material ID	Product Number	Description	Fiber Type	Fiber Count	Front Interface	Rear Interface
16-fiber adapter packs							
9 per 1RU	760252804	PPL-AP-8-MPO16-ALL-B	Propel pass-through adapter pack, Type B	All	128	8 MPO16 Key Up with dust caps	8 MPO16 Key Up with dust caps
18 per 1 RU	760252806	PPL-AP-4-MPO16-ALL-B	Propel pass-through adapter pack, Type B	All	64	4 MPO16 Key Up with dust caps	4 MPO16 Key Up with dust caps
12 per 1 RU	760252805	PPL-AP-6-MPO16-ALL-B	Propel pass-through adapter pack, Type B	All	96	6 MPO16 Key Up with dust caps	6 MPO16 Key Up with dust caps
6 per 1RU	760252803	PPL-AP-12-MPO16-ALL-B	Propel pass-through adapter pack, Type B	All	192	12 MPO16 Key Up with dust caps	12 MPO16 Key Up with dust caps

Item #3 MPO16 multimode APC trunk cables

1 U	2 G	3 X	4 R	5 Z	6 R	7 Z	8 8	9 R	10 -	11 M	12 J	13 F	14-16 010
Construction type U Ultra-low loss	Cable family 3 Trunk, LSZH CPR B2ca G Trunk, Plenum J Trunk, Dual Rated (OFNR/LSZH)	Fiber type X OM4 multimode V OM5 WB multimode	Connector 1 RZ 16f MPO MM APC (Pinned)	Connector 2 RZ 16f MPO MM APC (Pinned)	Cordage size 8 16f PmP Trunk, 3.0mm SU	Fiber count R 16-fiber S 32-fiber H 48-fiber U 64-fiber L 96-fiber Q 128-fiber M 144-fiber N 192-fiber	Color M OM4 Aqua N OM5 Lime green	Breakout length J 22" Break Propel No Pull Grip K 22" Break Propel Pull Grip	UOM F Feet M Meter	Length 010-999 ft 003-305 m			

Select options for final part number

Item #4 MPO16 multimode APC patch cords

1 U	2 Q	3 X	4 R	5 V	6 R	7 V	8 7	9 R	10 -	11 M	12 A	13 F	14-16 003
Construction type U Ultra-low loss	Cable family Q Plenum Array R Dual Rated (OFNR/LSZH)	Fiber type X OM4 multimode V OM5 WB multimode	Connector 1 RV 16f MPO MM APC (Non-Pinned)	Connector 2 RV 16f MPO MM APC (Non-Pinned)	Cordage size 7 16f PmP Array Cord, 3mm	Fiber count R 16-fiber	Color M OM4 Aqua N OM5 Lime green	Breakout length A No gland	UOM F Feet M Meter	Length 003-999 ft 001-305 m			

Select options for final part number

Item #5 MPO16 multimode APC conversion array cords

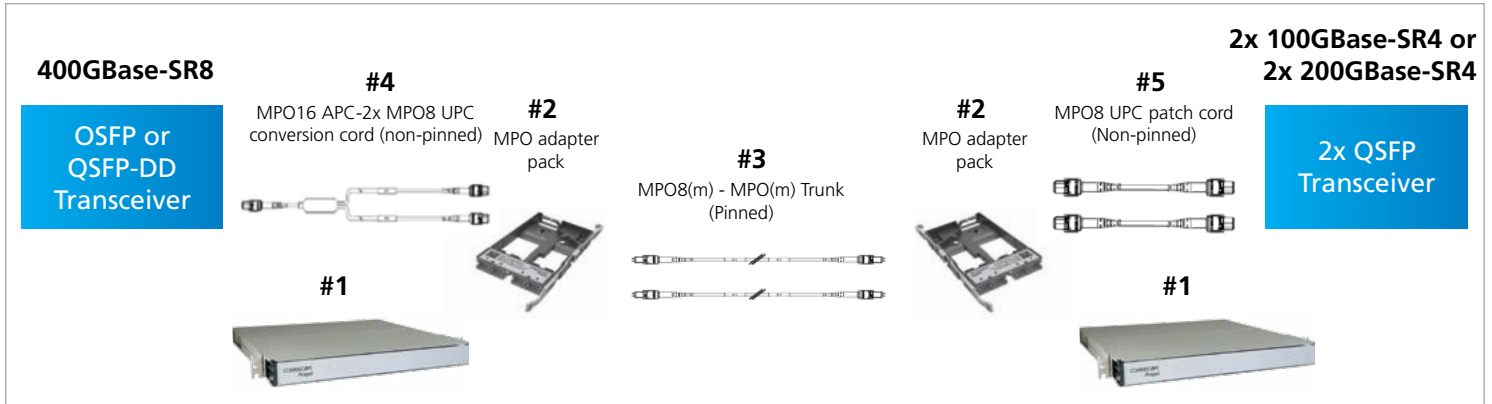
1 U	2 Q	3 X	4 R	5 V	6 Q	7 V	8 7	9 R	10 -	11 M	12 D	13 F	14-16 003
Construction type U Ultra-low loss	Cable family Q Plenum Array R Dual Rated (OFNR/LSZH)	Fiber type X OM4 multimode V OM5 WB multimode	Connector 1 RV 16f MPO MM APC (Non-Pinned)	Connector 2 QV 8f MPO MM APC (Non-Pinned) QP 8f MPO MM UPC (Non-Pinned)	Cordage size 7 16f PmP Array Cord, 3mm	Fiber count R 16-fiber	Color M OM4 Aqua N OM5 Lime green	Breakout length D 12" E 24" H 48" L 72"	UOM F Feet M Meter	Length 12 in 3-999 ft 24 in 4-999 ft 48 in 6-999 ft 72 in 8-999 ft 12 in 1-305 m 24-48 in 2-305 m 72 in 3-305 m			

Select options for final part number

Arista 400G Transceiver Breakout Options using the Propel Cabling System

400GBase-SR8 to 2 x 100/200GBase-SR4

MPO-8 Based



Item #1 Propel Patch Panels (see chapter Technical Information)

Item #2

	Material ID	Product Number	Description	Fiber Type	Fiber Count	Front Interface	Rear Interface
8-fiber adapter packs							
18 per 1RU	760252371	PPL-AP-4-MPO-ALL-B	Propel pass-through adapter pack, Type B	All	32	4 MPO8 Key Up with internal shutters	4 MPO8 Key Up with dust caps

Item #3 MPO8 multimode UPC trunk cables

1 U	2 G	3 X	4 Q	5 X	6 Q	7 X	8 T	9 8	10 -	11 M	12 J	13 F	14-16 010
Construction type U Ultra-low loss	Cable family 3 Trunk, LSZH CPR B2ca G Trunk, Plenum J Trunk, Dual Rated (OFNR/LSZH)	Fiber type X OM4 multimode V OM5 WB multimode	Connector 1 QX 8f MPO MM UPC (Pinned)	Connector 2 QX 8f MPO MM UPC (Pinned)	Cordage size T 8f PmP Trunk, 2.0mm SU	Fiber count 8 8-fiber R 16-fiber F 24-fiber S 32-fiber H 48-fiber U 64-fiber K 72-fiber L 96-fiber M 144-fiber N 192-fiber	Color M OM4 Aqua N OM5 Lime green	Breakout length J 22" Break Propel No Pull Grip K 22" Break Propel Pull Grip	UOM F Feet M Meter	Length 010-999 ft 003-305 m			

Select options for final part number

Item #4 MPO16 multimode APC conversion array cords

1 U	2 Q	3 X	4 R	5 V	6 Q	7 P	8 7	9 R	10 -	11 M	12 D	13 F	14-16 003
Construction type U Ultra-low loss	Cable family Q Plenum Array R Dual Rated (OFNR/LSZH)	Fiber type X OM4 multimode V OM5 WB multimode	Connector 1 RV 16f MPO MM APC (Non-Pinned)	Connector 2 QP 8f MPO MM UPC (Non-Pinned)	Cordage size 7 16f PmP Array Cord, 3mm	Fiber count R 16-fiber	Color M OM4 Aqua N OM5 Lime green	Breakout length D 12" E 24" H 48" L 72"	UOM F Feet M Meter	Length 12 in 3-999 ft 24 in 4-999 ft 48 in 6-999 ft 72 in 8-999 ft 12 in 1-305 m 24-48 in 2-305 m 72 in 3-305 m			

Select options for final part number

Item #5 MPO8 multimode UPC patch cords

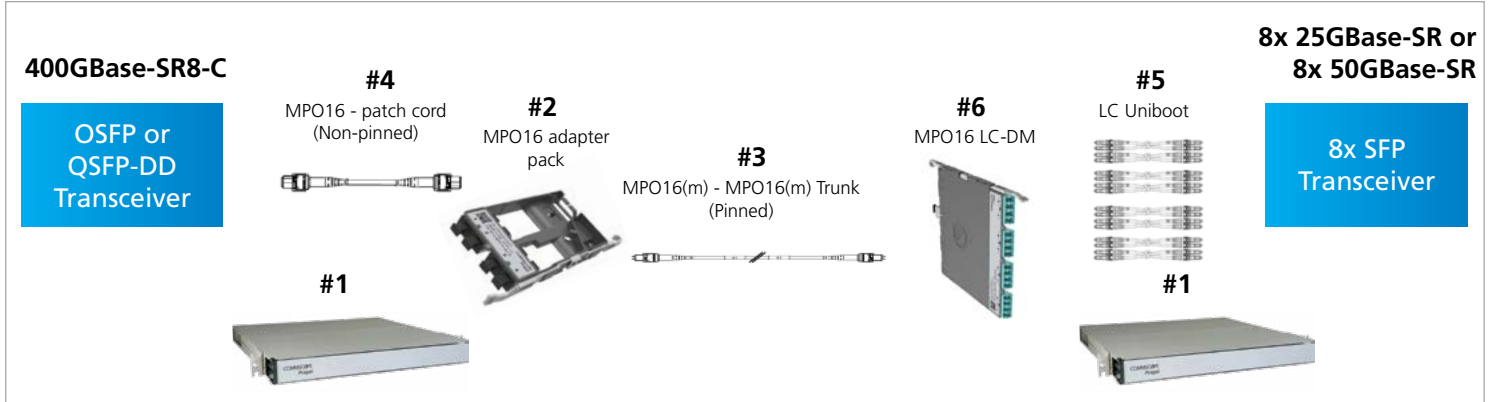
1 U	2 Q	3 X	4 Q	5 V	6 Q	7 V	8 F	9 8	10 -	11 M	12 A	13 F	14-16 010
Construction type U Ultra-low loss	Cable family Q Plenum Array R Dual Rated (OFNR/LSZH)	Fiber type X OM4 multimode V OM5 WB multimode	Connector 1 QV 8f MPO MM UPC (Non-pinned)	Connector 2 QV 8f MPO MM UPC (Non-pinned)	Cordage size F 8f PmP Array Cord, 2mm	Fiber count 8 8-fiber	Color M OM4 Aqua N OM5 Lime green	Breakout length A No Gland	UOM F Feet M Meter	Length 003-999 ft 001-305 m			

Select options for final part number

Arista 400G Transceiver Breakout Options using the Propel Cabling System

400GBase-SR8-C to 8 x 25/50GBase-SR

MPO-16 Based



Item #1 Propell Patch Panels (see chapter Technical Information)

Item #2

	Material ID	Product Number	Description	Fiber Type	Fiber Count	Front Interface	Rear Interface
16-fiber adapter packs							
9 per 1RU	760252804	PPL-AP-8-MPO16-ALL-B	Propel pass-through adapter pack, Type B	All	128	8 MPO16 Key Up with dust caps	8 MPO16 Key Up with dust caps
18 per 1 RU	760252806	PPL-AP-4-MPO16-ALL-B	Propel pass-through adapter pack, Type B	All	64	4 MPO16 Key Up with dust caps	4 MPO16 Key Up with dust caps
12 per 1 RU	760252805	PPL-AP-6-MPO16-ALL-B	Propel pass-through adapter pack, Type B	All	96	6 MPO16 Key Up with dust caps	6 MPO16 Key Up with dust caps
6 per 1RU	760252803	PPL-AP-12-MPO16-ALL-B	Propel pass-through adapter pack, Type B	All	192	12 MPO16 Key Up with dust caps	12 MPO16 Key Up with dust caps

Item #6

	Material ID	Product Number	Description	Fiber Type	Fiber Count	Front Interface	Rear Interface
MPO16 modules							
9 per 1RU	760252353	PPL-DM-16AU-16LC-OM4-BEU	Propel ULL Distribution Module, Method B Enhanced	OM4	16	8 duplex LCs with internal shutters	1 MPO16/APC non-pinned with dust cap
	760252354	PPL-DM-16AU-16LC-OM5-BEU	Propel ULL Distribution Module, Method B Enhanced	OM5	16	8 duplex LCs with internal shutters	1 MPO16/APC non-pinned with dust cap

Continued on next page

Arista 400G Transceiver Breakout Options using the Propel Cabling System

Item #3 MPO16 multimode APC trunk cables

1 U	2 G	3 X	4 R	5 Z	6 R	7 Z	8 8	9 R	10 -	11 M	12 J	13 F	14-16 010
Construction type U Ultra-low loss	Cable family 3 Trunk, LSZH CPR B2ca G Trunk, Plenum J Trunk, Dual Rated (OFNR/LSZH)	Fiber type X OM4 multimode V OM5 WB multimode	Connector 1 RZ 16f MPO MM APC (Pinned)	Connector 2 RZ 16f MPO MM APC (Pinned)	Cordage size 8 16f PmP Trunk, 3.0mm SU	Fiber count R 16-fiber S 32-fiber H 48-fiber U 64-fiber L 96-fiber Q 128-fiber M 144-fiber N 192-fiber	Color M OM4 Aqua N OM5 Lime green	Breakout length J 22" Break Propel No Pull Grip K 22" Break Propel Pull Grip	UOM F Feet M Meter	Length 010-999 ft 003-305 m			

Select options for final part number

Item #4 MPO16 multimode APC patch cords

1 U	2 Q	3 X	4 R	5 V	6 R	7 V	8 7	9 R	10 -	11 M	12 A	13 F	14-16 003
Construction type U Ultra-low loss	Cable family Q Plenum Array R Dual Rated (OFNR/LSZH)	Fiber type X OM4 multimode V OM5 WB multimode	Connector 1 RV 16f MPO MM APC (Non-Pinned)	Connector 2 RV 16f MPO MM APC (Non-Pinned)	Cordage size 7 16f PmP Array Cord, 3mm	Fiber count R 16-fiber	Color M OM4 Aqua N OM5 Lime green	Breakout length A No gland	UOM F Feet M Meter	Length 003-999 ft 001-305 m			

Select options for final part number

Item #5 SYSTIMAX Uniboot patch cords

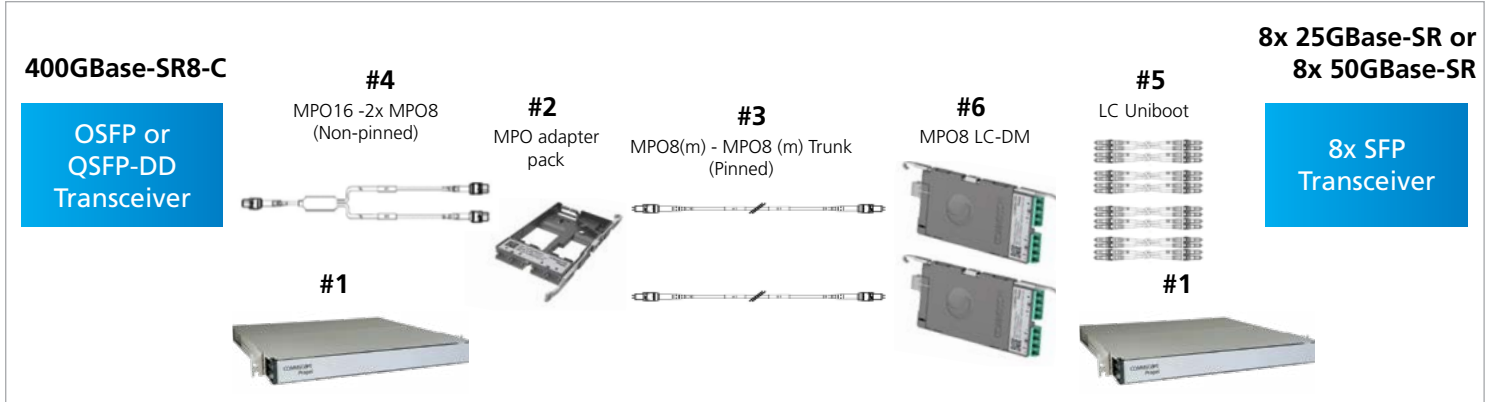
1 U	2 D	3 G	4 L	5 L	6 6	7 2	8 -	9 X	10 F	11-12 010
Construction type U Ultra-low loss	Cable family D Plenum F LSZH/Riser	Fiber type G Singlemode (A2)	Connector 1 LU LC Uniboot	Connector 2 LU LC Uniboot	Cordage size K 1.5mm 6 2.0mm	Fiber count 2 2-fiber	Color J Yellow	Breakout length X No gland	UOM F Feet M Meter	Length 2-200 Feet 1-061 Meter

Select options for final part number

Arista 400G Transceiver Breakout Options using the Propel Cabling System

400GBase-SR8-C to 8 x 25/50GBase-SR

MPO-8 Based



Item #1 Propel Patch Panels (see chapter Technical Information)

Item #2

	Material ID	Product Number	Description	Fiber Type	Fiber Count	Front Interface	Rear Interface
8-fiber adapter packs							
18 per 1RU	760252371	PPL-AP-4-MPO-ALL-B	Propel pass-through adapter pack, Type B	All	32	4 MPO8 Key Up with internal shutters	4 MPO8 Key Up with dust caps

Item #6

	Material ID	Product Number	Description	Fiber Type	Fiber Count	Front Interface	Rear Interface
MPO8 Modules with MPO/UPC in multimode							
18 per 1RU	760252332	PPL-DM-8U-8LC-OM4-BEU	Propel ULL Distribution Module, Method B Enhanced	OM4	8	4 duplex LCs with internal shutters	1 MPO8 non-pinned with internal shutter
	760252333	PPL-DM-8U-8LC-OM5-BEU	Propel ULL Distribution Module, Method B Enhanced	OM5	8	4 duplex LCs with internal shutters	1 MPO8 non-pinned with internal shutter

Continued on next page

Arista 400G Transceiver Breakout Options using the Propel Cabling System

Item #3 MPO8 multimode UPC trunk cables

1 U	2 G	3 X	4 Q	5 X	6 Q	7 X	8 T	9 8	10 -	11 M	12 J	13 F	14-16 010
Construction type U Ultra-low loss	Cable family 3 Trunk, LSZH CPR B2ca G Trunk, Plenum J Trunk, Dual Rated (OFNR/LSZH)	Fiber type X OM4 multimode V OM5 WB multimode	Connector 1 QX 8f MPO MM UPC (Pinned)	Connector 2 QX 8f MPO MM UPC (Pinned)	Cordage size T 8f PmP Trunk, 2.0mm SU	Fiber count 8 8-fiber R 16-fiber F 24-fiber S 32-fiber H 48-fiber U 64-fiber K 72-fiber L 96-fiber M 144-fiber N 192-fiber	Color M OM4 Aqua N OM5 Lime green	Breakout length J 22" Break Propel No Pull Grip K 22" Break Propel Pull Grip	UOM F Feet M Meter	Length 010-999 ft 003-305 m			

Select options for final part number

Item #4 MPO16 multimode APC conversion array cords

1 U	2 Q	3 X	4 R	5 V	6 Q	7 P	8 7	9 R	10 -	11 M	12 D	13 F	14-16 003
Construction type U Ultra-low loss	Cable family Q Plenum Array R Dual Rated (OFNR/LSZH)	Fiber type X OM4 multimode V OM5 WB multimode	Connector 1 RV 16f MPO MM APC (Non-Pinned)	Connector 2 QP 8f MPO MM UPC (Non-Pinned)	Cordage size 7 16f PmP Array Cord, 3mm	Fiber count R 16-fiber	Color M OM4 Aqua N OM5 Lime green	Breakout length D 12" E 24" H 48" L 72"	UOM F Feet M Meter	Length 12 in 3-999 ft 24 in 4-999 ft 48 in 6-999 ft 72 in 8-999 ft 12 in 1-305 m 24-48 in 2-305 m 72 in 3-305 m			

Select options for final part number

Item #5 SYSTIMAX Uniboot patch cords

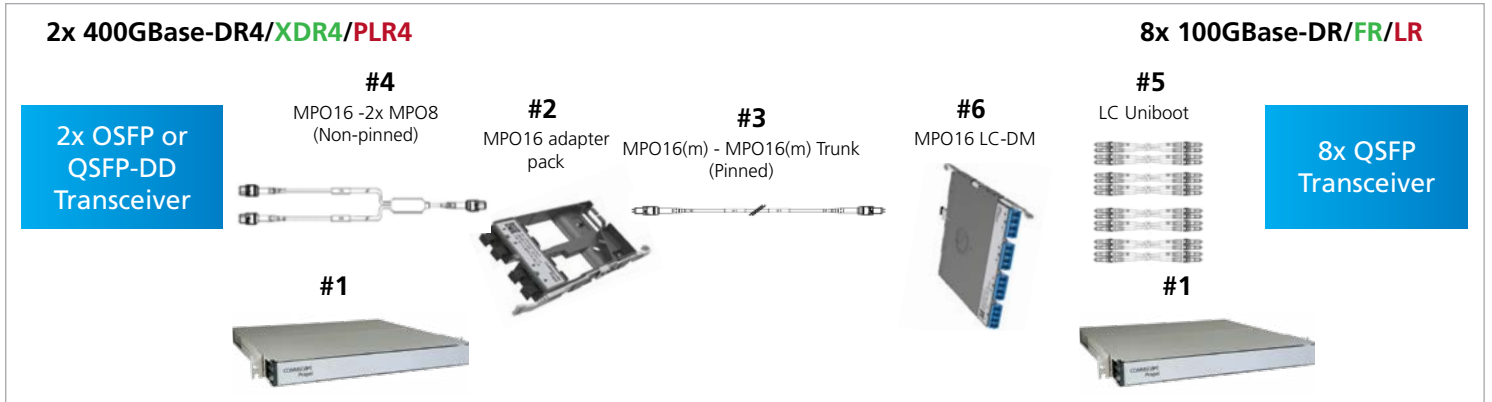
1 U	2 D	3 G	4 L	5 U	6 6	7 2	8 -	9 X	10 F	11-12 010
Construction type U Ultra-low loss	Cable family D Plenum F LSZH/Riser	Fiber type G Singlemode (AZ)	Connector 1 LU LC Uniboot	Connector 2 LU LC Uniboot	Cordage size K 1.5mm 6 2.0mm	Fiber count 2 2-fiber	Color J Yellow	Breakout length X No gland	UOM F Feet M Meter	Length 2-200 Feet 1-061 Meter

Select options for final part number

Arista 400G Transceiver Breakout Options using the Propel Cabling System

400GBase-DR4/XDR4/PLR4

MPO-16 Based



Item #1 Propel Patch Panels (see chapter Technical Information)

Item #2

	Material ID	Product Number	Description	Fiber Type	Fiber Count	Front Interface	Rear Interface
16-fiber adapter packs							
9 per 1RU	760252804	PPL-AP-8-MPO16-ALL-B	Propel pass-through adapter pack, Type B	All	128	8 MPO16 Key Up with dust caps	8 MPO16 Key Up with dust caps
18 per 1 RU	760252806	PPL-AP-4-MPO16-ALL-B	Propel pass-through adapter pack, Type B	All	64	4 MPO16 Key Up with dust caps	4 MPO16 Key Up with dust caps
12 per 1 RU	760252805	PPL-AP-6-MPO16-ALL-B	Propel pass-through adapter pack, Type B	All	96	6 MPO16 Key Up with dust caps	6 MPO16 Key Up with dust caps
6 per 1RU	760252803	PPL-AP-12-MPO16-ALL-B	Propel pass-through adapter pack, Type B	All	192	12 MPO16 Key Up with dust caps	12 MPO16 Key Up with dust caps

Item #6

	Material ID	Product Number	Description	Fiber Type	Fiber Count	Front Interface	Rear Interface
MPO16 modules							
9 per 1RU	760252352	PPL-DM-16AU-16LC-SM-BEU	Propel ULL Distribution Module, Method B Enhanced	OS2	16	8 duplex LCs with internal shutters	1 MPO16/APC non-pinned with dust cap

Continued on next page

Arista 400G Transceiver Breakout Options using the Propel Cabling System

Item #3 MPO16 singlemode APC trunk cables

1 U	2 G	3 G	4 R	5 X	6 R	7 X	8 8	9 R	10 -	11 J	12 J	13 F	14-16 010
Construction type U Ultra-low loss	Cable family 3 Trunk, LSZH CPR B2ca G Trunk, Plenum J Trunk, Dual Rated (OFNR/LSZH)	Fiber type G Singlemode (A2)	Connector 1 RX 16f MPO SM APC (Pinned)	Connector 2 RX 16f MPO SM APC (Pinned)	Cordage size 8 16f PmP Trunk, 3.0mm SU	Fiber count R 16-fiber S 32-fiber H 48-fiber U 64-fiber L 96-fiber Q 128-fiber M 144-fiber N 192-fiber	Color J Yellow	Breakout length J 22" Break Propel No Pull Grip K 22" Break Propel Pull Grip	UOM F Feet M Meter	Length 010-999 ft 003-305 m			

Select options for final part number

Item #4 MPO16 singlemode APC conversion array cords

1 U	2 Q	3 G	4 R	5 P	6 Q	7 P	8 7	9 R	10 -	11 J	12 D	13 F	14-16 003
Construction type U Ultra-low loss	Cable family Q Plenum Array R Dual Rated (OFNR/LSZH)	Fiber type G Singlemode (A2)	Connector 1 RP 16f MPO SM APC (Non-Pinned)	Connector 2 QP 8f MPO SM APC (Non-Pinned)	Cordage size 7 16f PmP Array Cord, 3mm	Fiber count R 16-fiber	Color J Yellow	Breakout length D 12" E 24" H 48" L 72"	UOM F Feet M Meter	Length 12 in 3-999 ft 24 in 4-999 ft 48 in 6-999 ft 72 in 8-999 ft 12 in 1-305 m 24-48 in 2-305 m 72 in 3-305 m			

Select options for final part number

Item #5 SYSTIMAX Uniboot patch cords

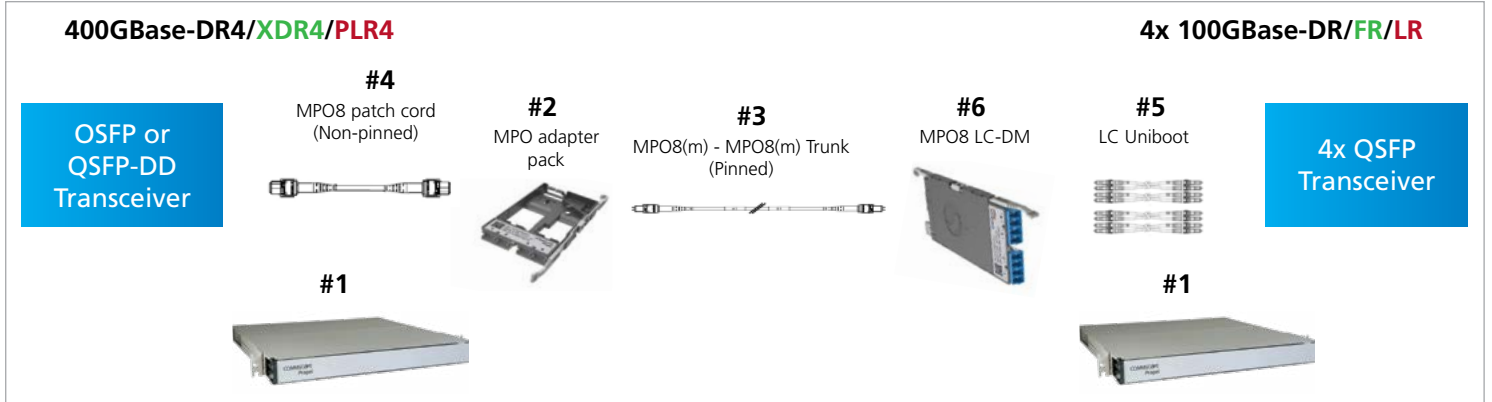
1 U	2 D	3 G	4 L	5 L	6 6	7 2	8 -	9 X	10 F	11-12 010
Construction type U Ultra-low loss	Cable family D Plenum F LSZH/Riser	Fiber type G Singlemode (A2)	Connector 1 LU LC Uniboot	Connector 2 LU LC Uniboot	Cordage size K 1.5mm 6 2.0mm	Fiber count 2 2-fiber	Color J Yellow	Breakout length X No gland	UOM F Feet M Meter	Length 2-200 Feet 1-061 Meter

Select options for final part number

Arista 400G Transceiver Breakout Options using the Propel Cabling System

400GBase-DR4/XDR4/PLR4

MPO-8 Based



Item #1 Propel Patch Panels (see chapter Technical Information)

Item #2

	Material ID	Product Number	Description	Fiber Type	Fiber Count	Front Interface	Rear Interface
8-fiber adapter packs							
18 per 1RU	760252371	PPL-AP-4-MPO-ALL-B	Propel pass-through adapter pack, Type B	All	32	4 MPO8 Key Up with internal shutters	4 MPO8 Key Up with dust caps

Item #6

	Material ID	Product Number	Description	Fiber Type	Fiber Count	Front Interface	Rear Interface
MPO8 Modules with MPO in singlemode							
18 per 1RU	760252334	PPL-DM-8AU-8LC-SM-BEU	Propel ULL Distribution Module, Method B Enhanced	OS2	8	4 duplex LCs with internal shutters	1 MPO8/APC non-pinned with internal shutter

Item #3 MPO8 singlemode APC trunk cables

1	2	3	4	5	6	7	8	9	10	11	12	13	14-16
U	G	G	Q	X	Q	X	T	8	-	J	J	F	010
Construction type U Ultra-low loss	Cable family 3 Trunk, LSZH CPR B2ca G Trunk, Plenum J Trunk, Dual Rated (OFNR/LSZH)	Fiber type G Singlemode (AZ)	Connector 1 QX 8f MPO SM APC (Pinned)	Connector 2 QX 8f MPO SM APC (Pinned)	Cordage size T 8f PmP Trunk, 2.0mm SU	Fiber count 8 8-fiber R 16-fiber F 24-fiber S 32-fiber H 48-fiber U 64-fiber K 72-fiber L 96-fiber M 144-fiber N 192-fiber	Color J Yellow	Breakout length J 22" Break Propel No Pull Grip K 22" Break Propel Pull Grip	UOM F Feet M Meter	Length 010-999 ft 003-305 m	Select options for final part number		

Item #4 MPO8 singlemode APC patch cord

1	2	3	4	5	6	7	8	9	10	11	12	13	14-16
U	Q	G	Q	P	Q	P	F	8	-	J	A	F	010
Construction type U Ultra-low loss	Cable family Q Plenum Array R Dual Rated (OFNR/LSZH)	Fiber type G Singlemode (AZ)	Connector 1 QP 8f MPO SM APC (Non-pinned)	Connector 2 QP 8f MPO SM APC (Non-pinned)	Cordage size F 8f PmP Array Cord, 2mm	Fiber count 8 8-fiber	Color J Yellow	Breakout length A No Gland	UOM F Feet M Meter	Length 003-999 ft 001-305 m	Select options for final part number		

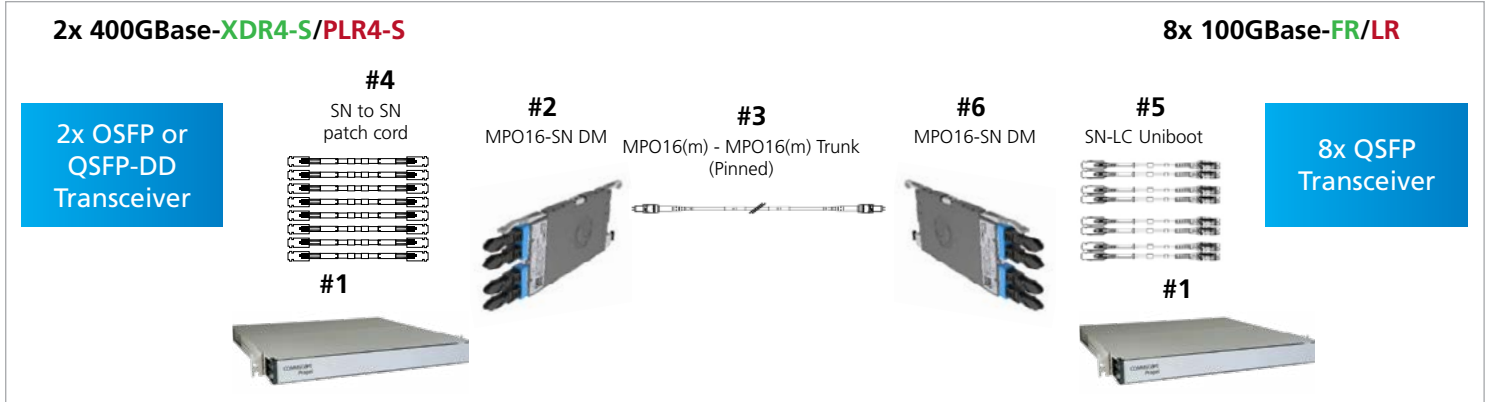
Item #5 SYSTIMAX Uniboot patch cords

1	2	3	4	5	6	7	8	9	10	11-12			
U	D	G	L	U	L	U	6	2	-	J	X	F	010
Construction type U Ultra-low loss	Cable family D Plenum F LSZH/Riser	Fiber type G Singlemode (AZ)	Connector 1 LU LC Uniboot	Connector 2 LU LC Uniboot	Cordage size K 1.5mm 6 2.0mm	Fiber count 2 2-fiber	Color J Yellow	Breakout length X No gland	UOM F Feet M Meter	Length 2-200 Feet 1-061 Meter	Select options for final part number		

Arista 400G Transceiver Breakout Options using the Propel Cabling System

400GBase-XDR4-S/PLR4-S

MPO-16 Based



Item #1 Propel Patch Panels (see chapter Technical Information)

Item #2 Propel Distribution Module

	Material ID	Product Number	Description	Fiber Type	Fiber Count	Front Interface	Rear Interface
SN modules							
18 per 1 RU	760252355	PPL-DM-16AU-8SN-SM-BEU	Propel ULL Distribution Module, Method B Enhanced	OS2	16	8 SNs with dust caps	1 MPO16/APC non-pinned with dust cap

Item #3 MPO16 singlemode APC trunk cables

1	2	3	4	5	6	7	8	9	10	11	12	13	14-16
U	G	G	R	X	R	X	8	R	-	J	J	F	010
Construction type U Ultra-low loss	Cable family 3 Trunk, LSZH CPR B2ca G Trunk, Plenum J Trunk, Dual Rated (OFNR/LSZH)	Fiber type G Singlemode (A2)	Connector 1 RX 16f MPO SM APC (Pinned)	Connector 2 RX 16f MPO SM APC (Pinned)	Cordage size 8 16f PmP Trunk, 3.0mm SU	Fiber count R 16-fiber S 32-fiber H 48-fiber U 64-fiber L 96-fiber Q 128-fiber M 144-fiber N 192-fiber	Color J Yellow	Breakout length J 22" Break Propel No Pull Grip K 22" Break Propel Pull Grip	UOM F Feet M Meter	Length 010-999 ft 003-305 m			

Select options for final part number

Item #4 SN singlemode jumpers

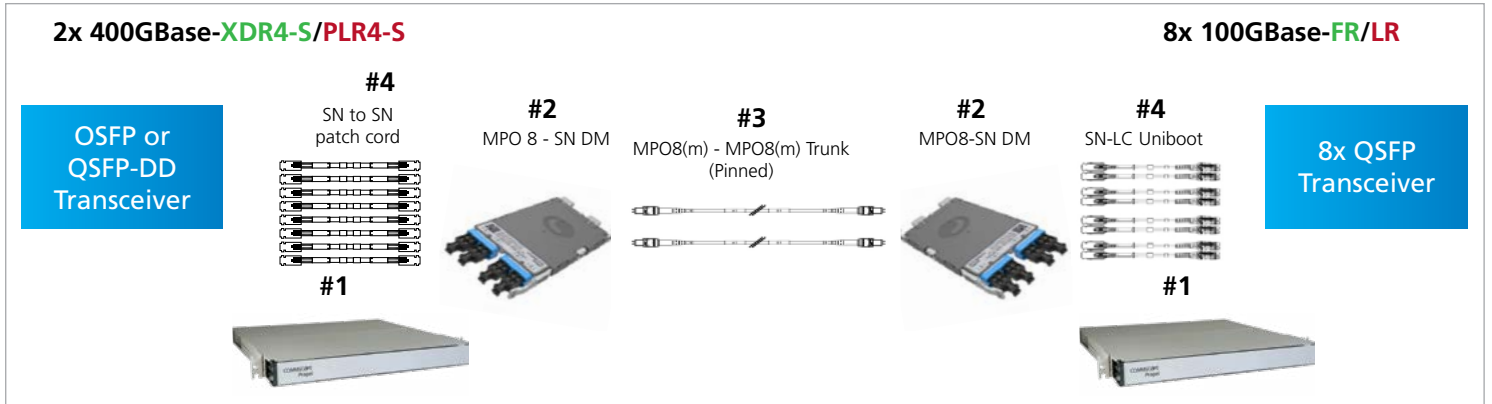
1	2	3	4	5	6	7	8	9	10	11	12	13	14-16
U	D	G	S	N	S	N	K	2	-	J	X	F	003
Construction type U Ultra-low loss	Cable family D Plenum F Dual Rated (OFNR/LSZH)	Fiber type G Singlemode	Connector 1 SN SN	Connector 2 SN SN LU LC Uniboot	Cordage size K 1.5 mm	Fiber count 2 2-fiber	Color J Yellow	Breakout length X No Breakout	UOM F Feet M Meter	Length 001-999 ft 001-999 m			

Select options for final part number

Arista 400G Transceiver Breakout Options using the Propel Cabling System

400GBase-XDR4-S/PLR4-S

MPO-8 Based



Item #1 Propel Patch Panels (see chapter Technical Information)

Item #2 Propel Distribution Modules

	Material ID	Product Number	Description	Fiber Type	Fiber Count	Front Interface	Rear Interface
SN modules							
18 per 1 RU	760252342	PPL-DM-8AU-8SN-SM-BEU	Propel ULL distribution module, Method B Enhanced	OS2	16	8 SNs with dust caps	2 MPO8/APC non-pinned with internal shutters

Item #3 MPO8 singlemode APC trunk cables

1 U	2 G	3 G	4 Q	5 X	6 Q	7 X	8 T	9 8	10 -	11 J	12 J	13 F	14-16 010
Construction type U Ultra-low loss	Cable family 3 Trunk, LSZH CPR B2ca G Trunk, Plenum J Trunk, Dual Rated (OFNR/LSZH)	Fiber type G Singlemode (AZ)	Connector 1 QX 8f MPO SM APC (Pinned)	Connector 2 QX 8f MPO SM APC (Pinned)	Cordage size T 8f PmP Trunk, 2.0mm SU	Fiber count 8 8-fiber R 16-fiber F 24-fiber S 32-fiber H 48-fiber U 64-fiber K 72-fiber L 96-fiber M 144-fiber N 192-fiber	Color J Yellow	Breakout length J 22" Break Propel No Pull Grip K 22" Break Propel Pull Grip	UOM F Feet M Meter	Length 010-999 ft 003-305 m	Select options for final part number		

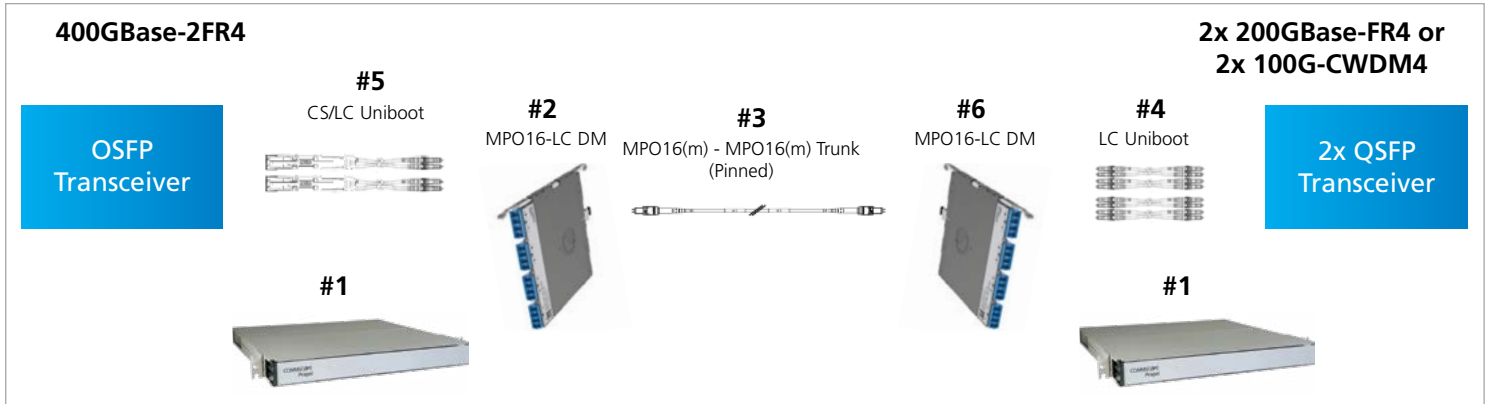
Item #4 SN singlemode jumpers

1 U	2 D	3 G	4 S	5 N	6 S	7 N	8 K	9 2	10 -	11 J	12 X	13 F	14-16 003
Construction type U Ultra-low loss	Cable family D Plenum F Dual Rated (OFNR/LSZH)	Fiber type G Singlemode	Connector 1 SN SN	Connector 2 SN SN LU LC Uniboot	Cordage size K 1.5 mm	Fiber count 2 2-fiber	Color J Yellow	Breakout length X No Breakout	UOM F Feet M Meter	Length 001-999 ft 001-999 m	Select options for final part number		

Arista 400G Connections using the Propel Cabling System

400GBase-2FR4

MPO-16 Based



Item #1 Propel Patch Panels (see chapter Technical Information)

Item #2

	Material ID	Product Number	Description	Fiber Type	Fiber Count	Front Interface	Rear Interface
MPO16 modules							
9 per 1RU	760252352	PPL-DM-16AU-16LC-SM-BEU	Propel ULL Distribution Module, Method B Enhanced	OS2	16	8 duplex LCs with internal shutters	1 MPO16/APC non-pinned with dust cap

Item #3 MPO16 singlemode APC trunk cables

1 U	2 G	3 G	4 R	5 X	6 R	7 X	8 8	9 R	10 -	11 J	12 J	13 F	14-16 010
Construction type U Ultra-low loss	Cable family 3 Trunk, LSZH CPR B2ca G Trunk, Plenum J Trunk, Dual Rated (OFNR/LSZH)	Fiber type G Singlemode (A2)	Connector 1 RX 16f MPO SM APC (Pinned)	Connector 2 RX 16f MPO SM APC (Pinned)	Cordage size 8 16f PmP Trunk, 3.0mm SU	Fiber count R 16-fiber S 32-fiber H 48-fiber U 64-fiber L 96-fiber Q 128-fiber M 144-fiber N 192-fiber	Color J Yellow	Breakout length J 22" Break Propel No Pull Grip K 22" Break Propel Pull Grip	UOM F Feet M Meter	Length 010-999 ft 003-305 m	Select options for final part number		

Item #4 SYSTIMAX Uniboot patch cords

1 U	2 D	3 G	4 L	5 U	6 6	7 2	8 J	9 X	10 F	11-12 010	
Construction type U Ultra-low loss	Cable family D Plenum F LSZH/Riser	Fiber type G Singlemode (A2)	Connector 1 LU LC Uniboot	Connector 2 LU LC Uniboot	Cordage size K 1.5mm 6 2.0mm	Fiber count 2 2-fiber	Color J Yellow	Breakout length X No gland	UOM F Feet M Meter	Length 2-200 Feet 1-061 Meter	Select options for final part number

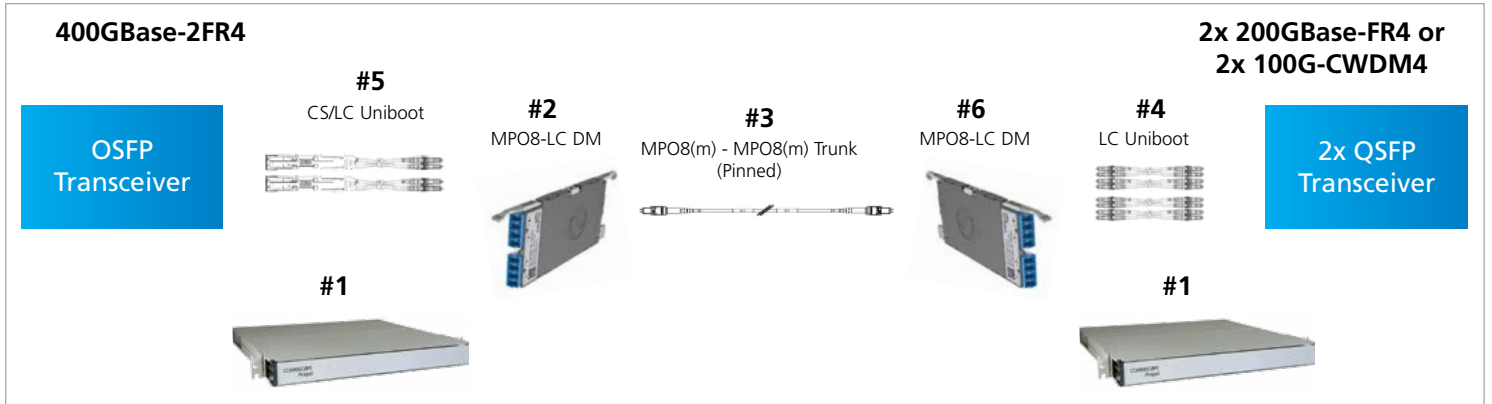
Item #5

Product Number	Description
UDGLUCS62-JXFxxx or JXMxxx	ULL SM A2 CS to LC Uniboot 2f patch cord, Plenum
UFGGLUCS62-JXFxxx or JXMxxx	ULL SM A2 CS to LC Uniboot 2f patch cord, Dual Rated (OFNR/LSZH)

Arista 400G Connections using the Propel Cabling System

400GBase-2FR4

MPO-8 Based



Item #1 Propel Patch Panels (see chapter Technical Information)

Item #2

	Material ID	Product Number	Description	Fiber Type	Fiber Count	Front Interface	Rear Interface
MPO8 Modules							
18 per 1RU	760252334	PPL-DM-8AU-8LC-SM-BEU	Propel ULL Distribution Module, Method B Enhanced	OS2	8	4 duplex LCs with internal shutters	1 MPO8/APC non-pinned with internal shutter

Item #3 MPO8 singlemode APC trunk cables

1	2	3	4	5	6	7	8	9	10	11	12	13	14-16
U	G	G	Q	X	Q	X	T	8	-	J	J	F	010
Construction type U Ultra-low loss	Cable family 3 Trunk, LSZH CPR B2ca G Trunk, Plenum J Trunk, Dual Rated (OFNR/LSZH)	Fiber type G Singlemode (A2)	Connector 1 QX 8f MPO SM APC (Pinned)	Connector 2 QX 8f MPO SM APC (Pinned)	Cordage size T 8f PmP Trunk, 2.0mm SU	Fiber count 8 8-fiber R 16-fiber F 24-fiber S 32-fiber H 48-fiber U 64-fiber K 72-fiber L 96-fiber M 144-fiber N 192-fiber	Color J Yellow	Breakout length J 22" Break Propel No Pull Grip K 22" Break Propel Pull Grip	UOM F Feet M Meter	Length 010-999 ft 003-305 m	Select options for final part number		

Item #4 SYSTIMAX Uniboot patch cords

1	2	3	4	5	6	7	8	9	10	11-12			
U	D	G	L	U	L	U	6	2	-	J	X	F	010
Construction type U Ultra-low loss	Cable family D Plenum F LSZH/Riser	Fiber type G Singlemode (A2)	Connector 1 LU LC Uniboot	Connector 2 LU LC Uniboot	Cordage size K 1.5mm 6 2.0mm	Fiber count 2 2-fiber	Color J Yellow	Breakout length X No gland	UOM F Feet M Meter	Length 2-200 Feet 1-061 Meter	Select options for final part number		

Item #5

Product Number	Description
UDGLUCS62-JXFxxx or JXMxxx	ULL SM A2 CS to LC Uniboot 2f patch cord, Plenum
UFGLUCS62-JXFxxx or JXMxxx	ULL SM A2 CS to LC Uniboot 2f patch cord, Dual Rated (OFNR/LSZH)

Panel Index



Propel Panels

Product Number	Description	Material ID
PPL-1U	Propel 1RU sliding panel	760252002
PPL-2U	Propel 2RU sliding panel	760252003
PPL-4U	Propel 4RU sliding panel	760252004

Propel Panel Capacity-Adapter Packs/Module by Size

LC Duplex = MPO Ports		8-fiber	12-fiber	16-fiber	24-fiber
	Ports	6/blade	4/blade	3/blade	2/blade
1RU	72	18	12	9	6
2RU	144	36	24	18	12
4RU	288	72	48	36	24

CommScope pushes the boundaries of communications technology with game-changing ideas and ground-breaking discoveries that spark profound human achievement. We collaborate with our customers and partners to design, create and build the world's most advanced networks. It is our passion and commitment to identify the next opportunity and realize a better tomorrow. Discover more at commscope.com.

COMMSCOPE®

commscope.com

Visit our website or contact your local CommScope representative for more information.

© 2023 CommScope, Inc. All rights reserved.

All trademarks identified by ™ or ® are trademarks or registered trademarks in the US and may be registered in other countries. All product names, trademarks and registered trademarks are property of their respective owners. This document is for planning purposes only and is not intended to modify or supplement any specifications or warranties relating to CommScope products or services.

ARISTA is a registered trademark owned by Arista Networks, Inc.

CO-117235-EN (02/23)