

SYSTIMAX® SOLUTIONS

Power Separation Guidelines for
SYSTIMAX® Installations

July 2020



1.0 General

These guidelines are based on extensive testing and modeling performed by CommScope Labs and by standards committees (especially by TIA in the US). The guidelines outline the minimum requirements for registration of SYSTIMAX® installations for the 25-Year Extended Product Warranty and Applications Assurance Program. The exception is for installations with SYSTIMAX x297/x298 cables where the guidelines outline in Section 4.0 shall apply. Unless otherwise stated, the power cables are assumed to be non-armored.

Applicable local or national safety regulations take precedence whenever their required separation distances are larger than those specified in this document. For example:

- In the UK, if no mechanical divider is present between the data and power cables, BS 6701 requires a minimum separation distance of 50 mm (2 in) for voltages less than 600 Va.c.
- In the USA, Article 800.52 of NEC Ed 2002 states the following for Class 1 circuits:
 - Communications wires and cables shall be separated at least 50 mm (2 in) from conductors of any electric light, power, Class 1, non-power-limited fire alarm, or medium power network-powered broadband communications circuits.
 - » Exception No. 1: Where either (1) all of the conductors of the electric light, power, Class 1, non-power-limited fire alarm, and medium power network-powered broadband communications circuits are in a raceway or in metal-sheathed, metal-clad, nonmetallic-sheathed, Type AC, or Type UF cables, or (2) all of the conductors of communications circuits are encased in raceway.
 - » Exception No. 2: Where the communications wires and cables are permanently separated from the conductors of electric light, power, Class 1, non-power-limited fire alarm, and medium power network-powered broadband communications circuits by a continuous and firmly fixed non-conductor, such as porcelain tubes or flexible tubing, in addition to the insulation on the wire.

In the US, ANSI/TIA-942 Telecommunications Infrastructure Standard for Data Centers and ANSI/TIA-1005 Telecommunications Infrastructure Standard for Industrial Premises provide power separation requirements in Clause 7.3 and Clause 5.2 respectively. These requirements are fully in alignment with SYSTIMAX guidelines and can be adhered to except for 1 to 15 power cables where SYSTIMAX guidelines will apply.

In Europe, EN 50174-2:2000 has been revised and the new published standard (EN 50174-2:2009) specifies separation requirements in Clause 6 that are similar to SYSTIMAX guidelines. Section 4.0 of this document will correlate SYSTIMAX guidelines with EN 50174-2:2009 requirements.

2.0 Power Cables Rating: $V_{a.c} \leq 415V$ and $I \leq 100A$

The following guidelines are applicable to power cables rated 415 volts (V_{a.c}) or less and 100 amperes (A) maximum. Unless otherwise stated, the power cables are assumed to be non-armored.

For SYSTIMAX® installations of cable lengths of up to 90 meters (295 ft), zero separation distance is required for branch/radial circuits that meet all the following conditions:

- Limited to one power cable rated at 110/240V, 20A, single-phase (phase-to-neutral or earth).
- The power cable or cord must have Live (L), Neutral (N) and Earth (E) conductors contained within a common sheath (that is, sheathed power cables). If loose (individual) conductors are used as power cables, these conductors must be bunched or maintained close together to minimise inductive coupling.
- A ring circuit can be considered to be equivalent to two branch circuits, e.g. a ring circuit of 40A is considered to be equivalent to two branch circuits of 20A each. In this case, the guidelines for 20A apply.
- Powering typical office equipment.
- The main electrical service entrance is protected with surge arresters (transient voltage surge suppressor) according to the applicable local/national codes (for equipment safety).

In addition, all the following requirements shall also be met:

- The building itself shall be suitably protected from direct lightning strikes according to the applicable local or national codes.
- Multi-channel outlet boxes or compartments where individual power conductors and Category 5 or higher cabling are introduced to serve a workstation require 6 mm (0.25 in) separation.
- If loose, open (spaced) power conductors are used and not bunched or maintained close together, a minimum separation of 50 mm (2 in) is required.
- For all fluorescent light fixtures and associated power cables (in the vicinity of the light fixtures – see Figure 1), the separation distance is 50 mm (2 in).
- Power and SYSTIMAX cables shall cross over at right angles. However, a bridge may be required to meet national/local safety codes.

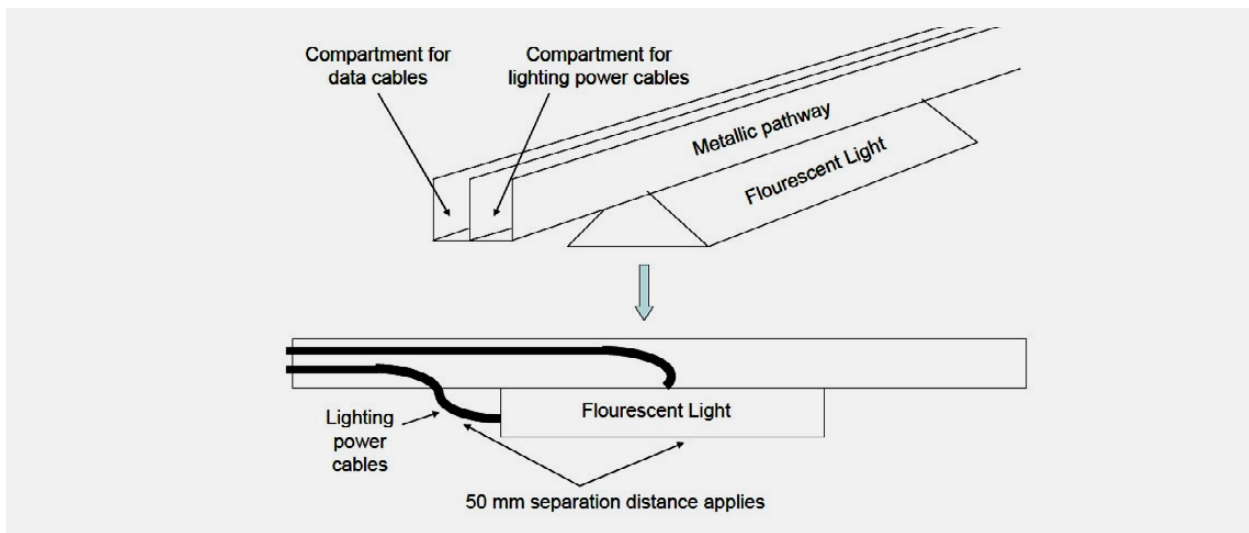


Figure 1: Example of fluorescent lighting fixtures

The following considerations should also be given:

- If multi-channel plastic raceways (i.e. compartmentized plastic trunking) are used, the power cables should be installed in the bottom compartment and the data cables in the top or vice versa (as per IEC/EN 60364-5-52 guidelines). If loose (individual) power conductors are used, they must be bunched or maintained close together within the trunking.
- The use of surge suppressors in branch circuits can further limit the propagation of electrical surges. These must be installed according to the applicable local/national codes (for equipment safety).

Table 1 provides additional separation requirements beyond those given above. This table is normally applicable to cabling in the horizontal and work area subsystems. The following points should be noted:

- The power conductor cross-sectional area is the minimum requirement for use.
- S is the required separation distance between the power and data cables.
- L is the total data cable horizontal length and NOT just the coupled length (i.e. length parallel to the power cable). Testing carried out by TIA in the US indicated that coupled length beyond 10 meter (33 ft) has little effect on frame errors.
- Normal power operating condition is assumed.

If the power cables are armoured, then the separation distances provided in Table 1 can be halved. However, the armouring must completely surround the cable (except at the socket) and must be properly bonded and earthed in accordance with the applicable local or national regulations.

If Table 1 is not applicable, the following requirements shall apply:

- Feeder power circuits (i.e. supply for branch circuits, etc.) or large groupings (> 30 power cables) of branch circuits shall maintain a minimum of 600 mm (2 ft) separation from data cables and patch panels in open frames (Figure 2). This situation typically arises in the communication/equipment rooms where the power distribution units (PDUs) are located as shown in Figure 3.
- The 600 mm (2 ft) separation distance can be halved, i.e. 300 mm (1 ft) if the power cables are armoured. These power cables can be loose-laid or installed on cable baskets (Figure 2).
- Alternatively, the 300 mm (1 ft) separation is also applicable if the power cables and/or data cables are installed on separate cable trays. These trays can have slots for easy attachment of the cables. These slots must be small, i.e. ≤ 50 mm (2 in) x 10 mm (0.4 in), and parallel to the axis of the tray as shown in Figure 4. Cable baskets shall not be used.

Figure 5 provides an example of a typical installation requirement. The various separation distances are derived as follow:

- In the vicinity of the equipment room subsystem, there are 72 and 36 power cables. Hence 600 mm (2 ft) separation distance is required.
- In the horizontal subsystem, there are 9 power cables. Hence, from Table 1, the separation distance is 100 mm (4 in).
- In the work area subsystem, there are 2 power cables. Hence, from Table 1, the separation distance is 4 mm (0.16 in).
- At the multi-channel outlet boxes, the separation distance is 6 mm (0.25 in).

Table 1: Additional Separation Guidelines for 110/240V, Single-Phase (Phase-to-Neutral or Earth) Power Cables.

| Power Conductor Cross-sectional Area | Maximum Current Rating, I (A) | Total Data Cable Horizontal Length, L | Total Number of Power Cables, N | Separation Distance, S |
|---|-------------------------------|---------------------------------------|---------------------------------|------------------------|
| 1 mm ² (0.0016 in ²) | 20 | 90 m (295 ft) | 1 | 0 |
| 1 mm ² (0.0016 in ²) | 20 | 90 m (295 ft) | 2 | 0.004 m (0.16 in) |
| 1 mm ² (0.0016 in ²) | 20 | 90 m (295 ft) | 30 | 0.1 m (4 in) |

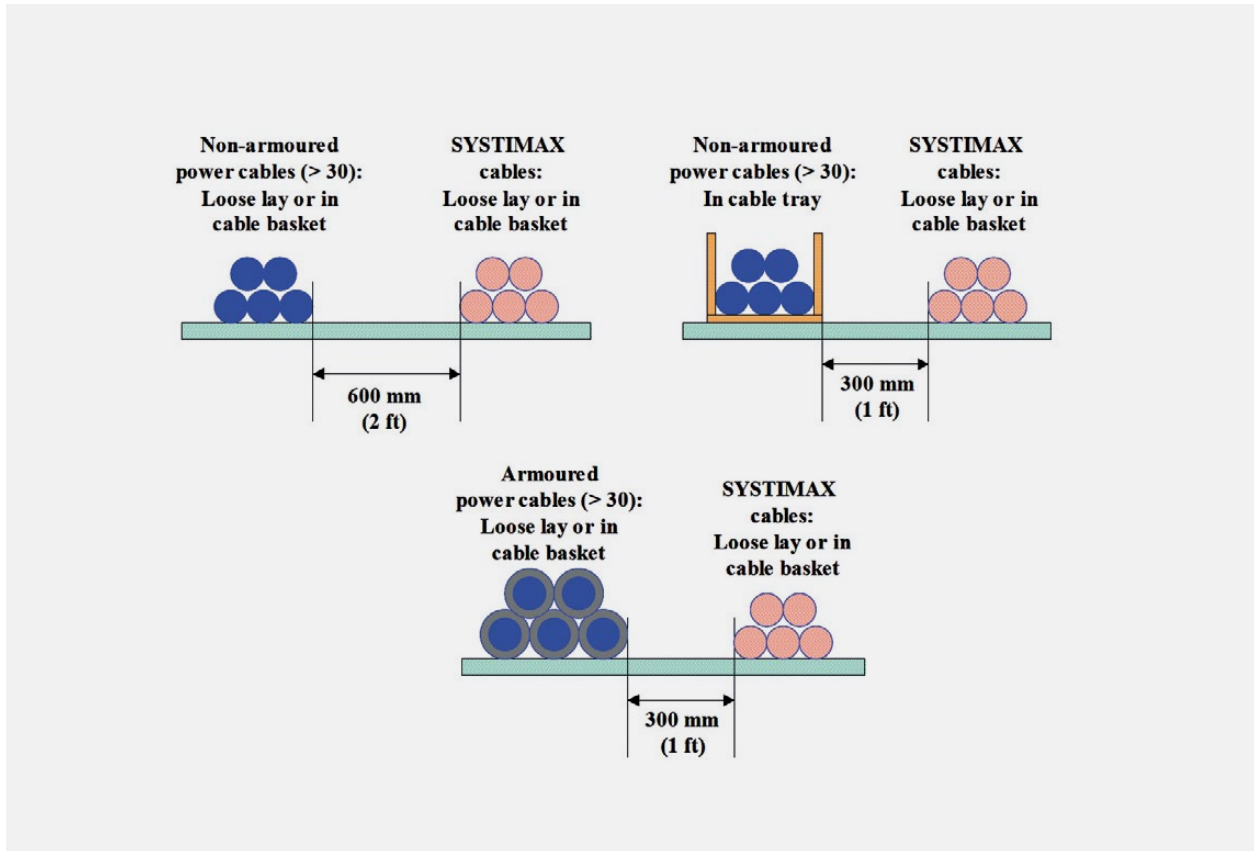


Figure 2: Separation requirements between power cables and data cables

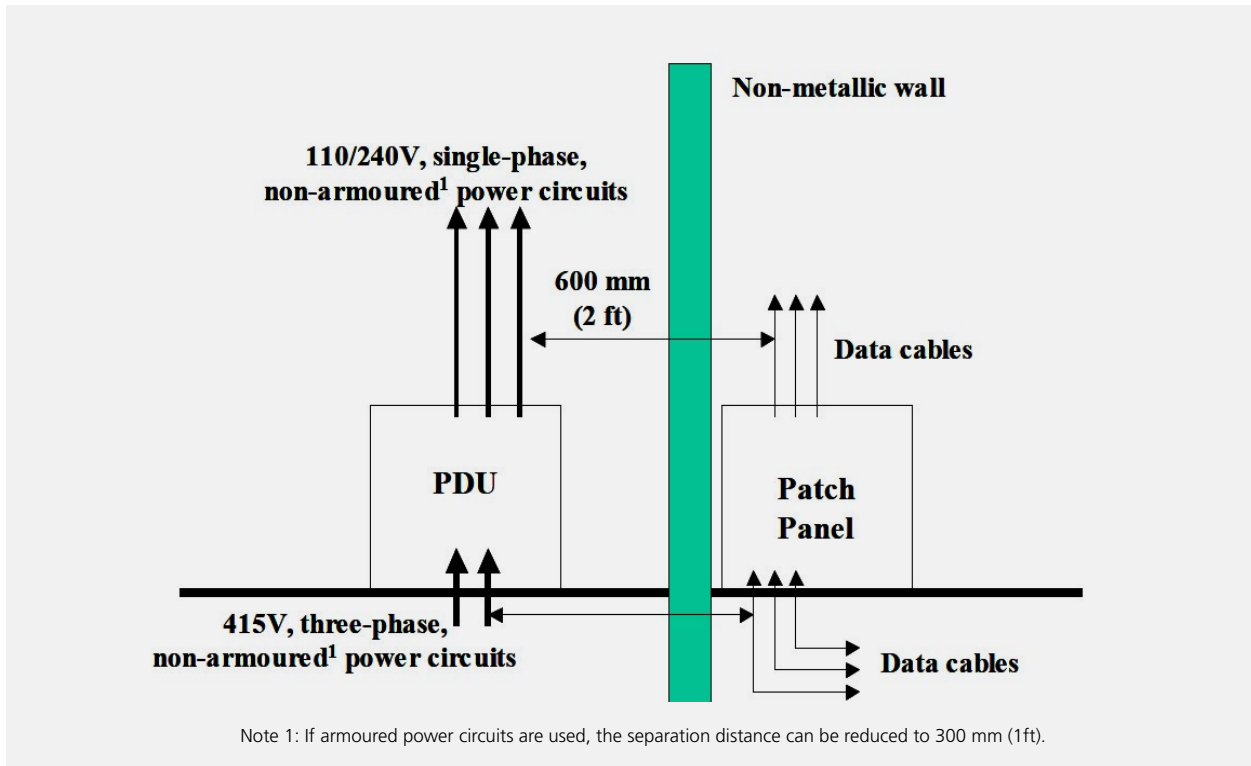


Figure 3: Separation requirements between PDU power cables and data cables/patch panels

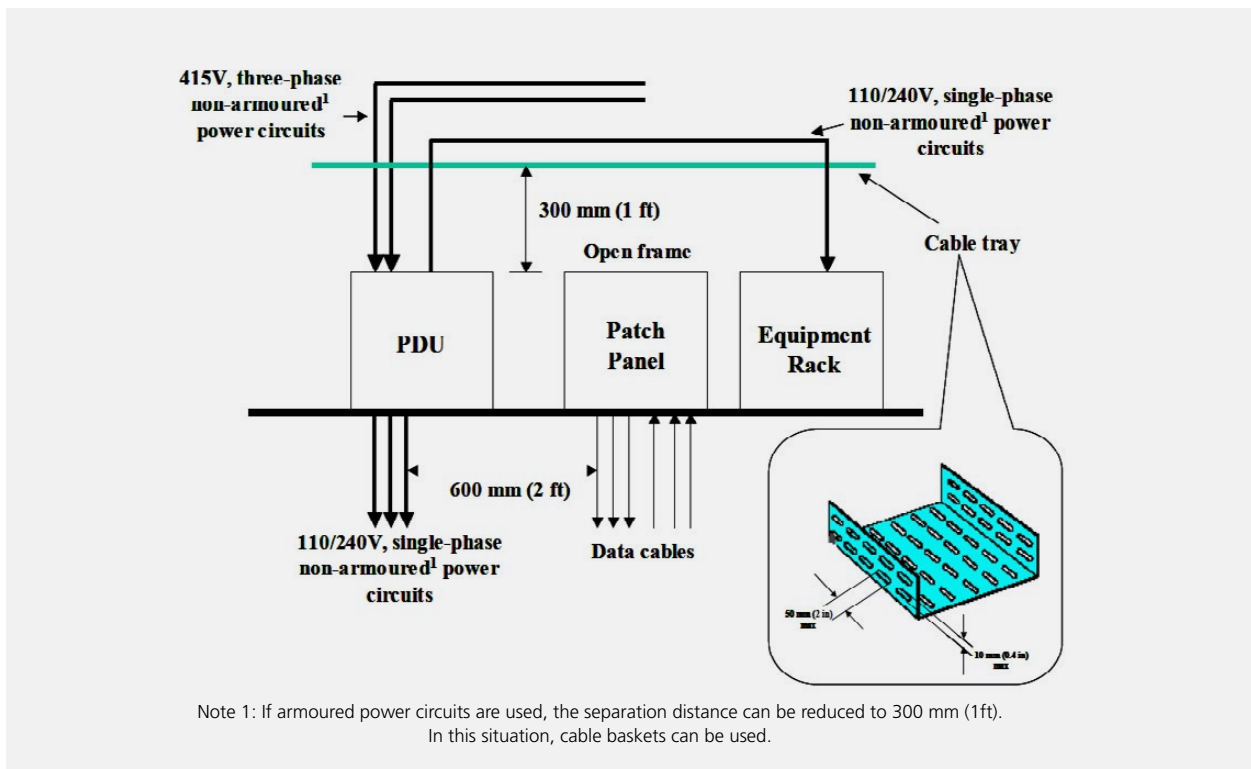


Figure 4: Separation requirements when using cable trays

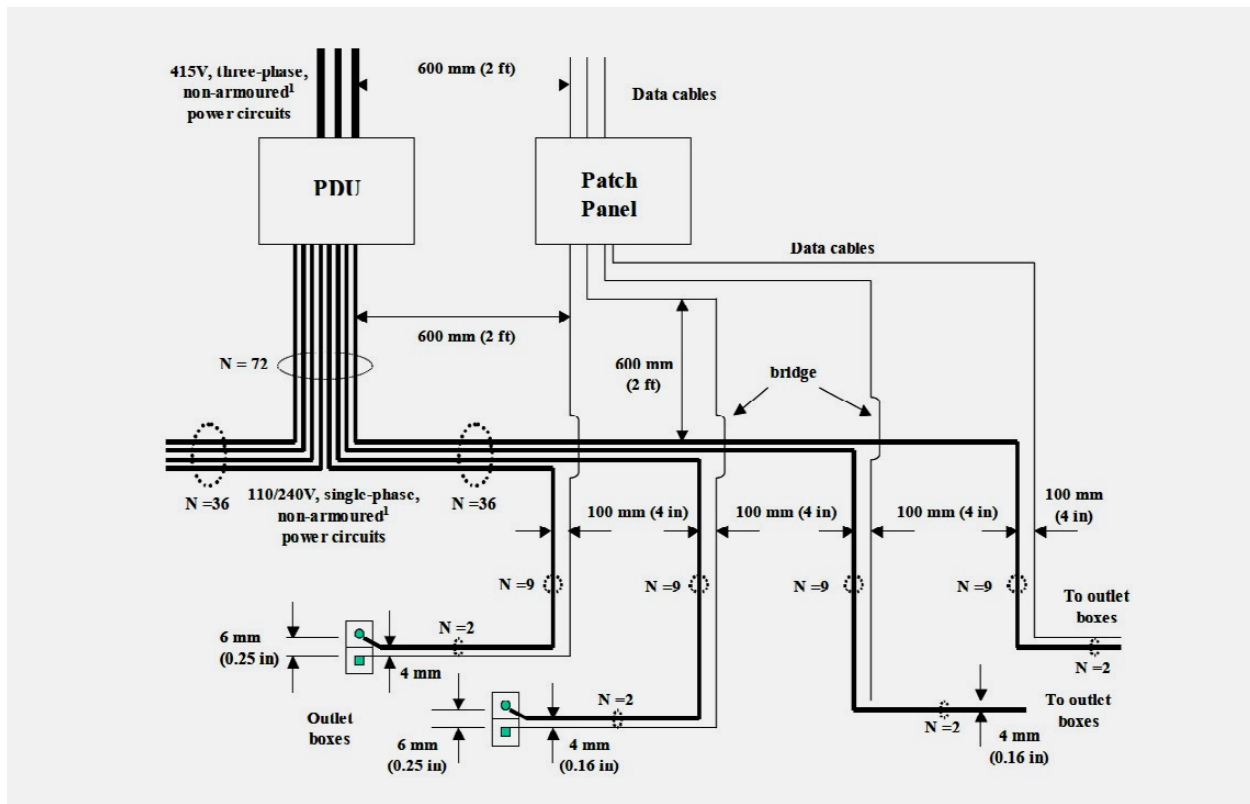


Figure 5: Example of an installation requirement

3.0 Power Cables Rating: $V_{a.c} > 415V$ and/or $I > 100A$

If the conditions and/or separation distances provided in Section 2 cannot be achieved, then zero separation distance is permitted when the data cables and/or the power cables are enclosed in metallic trunking or conduit. All the following conditions then apply:

- The metallic trunking/conduit must completely enclose the cables and be continuous.
- The metallic trunking/conduit must be properly bonded and earthed in accordance with the applicable local or national regulations, for example, IEE Wiring Regulations (BS 7671) in the UK or NEC in the USA.
- The trunking/conduit must be at least 1 mm (0.04 in) thick if made of galvanised (low carbon) steel or 2 mm (0.08 in) thick if made of aluminium.

However, if the above conduit/trunking thickness cannot be achieved, then Table 2 shall apply.

Table 2: Trunking/conduit material and thickness requirements

| Separation Distance, mm (inches) | Thickness, mm (inches) | |
|----------------------------------|------------------------|-------------|
| | Galvanised Steel | Aluminium |
| 600 (24) | 0.05 (0.002) | 0.1 (0.004) |
| 300 (12) | 0.1 (0.004) | 0.2 (0.008) |
| 150 (6) | 0.2 (0.008) | 0.5 (0.02) |
| 75 (3) | 0.5 (0.02) | 1 (0.04) |
| 0 (0) | 1 (0.04) | 2 (0.08) |

Fibre cabling is recommended if none of the above conditions can be achieved.

4.0 EN 50174-2:2009 Standard and SYSTIMAX® Guidelines

The EN 50174-2:2009 standard provides power separation requirements in Clause 6. In this standard, the minimum separation requirement “A” is calculated by multiplying the minimum separation “S” by the power cabling factor “P”. The value of “S” depends upon the segregation classification of the IT cable. This segregation classification depends on the transverse conversion loss (TCL) for unshielded balanced (U/UTP) cables or coupling attenuation for shielded balanced (F/UTP, F/FTP, S/FTP)cables.

The segregation classification of SYSTIMAX cables is given in Table 3. The minimum separation distance for SYSTIMAX cables and the corresponding calculated minimum separation distance obtained from the EN 50174-2:2009 standard are provided in Table 4.

Table 3: EN 50174-2 segregation classification for SYSTIMAX® cables

| SYSTIMAX® Cables | EN 50174-2 Segregation Classification |
|------------------|---------------------------------------|
| x061 (U/UTP) | b |
| x071 (U/UTP) | c |
| x091 (U/UTP) | c |
| x291 (F/UTP) | c |
| x297 (S/FTP) | d |
| x298 (S/FTP) | d |

Table 4 provides the minimum separation requirement A, according to EN 50714-2 and compares it with the minimum separation guidelines from SYSTIMAX®. Hence for 230V, 1-phase and 20A electrical circuits, the power separation requirements of EN 50174-2 can be adhered to.

Table 4: Comparing EN 50174-2 and SYSTIMAX® minimum separation requirements

| Minimum Separation Requirement, A (mm) for 230V, 1-phase, 20A electrical circuits | | | |
|--|----------|----------------------|-----------|
| Quantity of circuits | b (x061) | c (x071, x091, x291) | SYSTIMAX® |
| 1 to 3 | 20 | 10 | 10 |
| 4 to 6 | 40 | 20 | 20 |
| 7 to 9 | 60 | 30 | 30 |
| 10 to 12 | 80 | 40 | 40 |
| 13 to 15 | 100 | 50 | 50 |
| 16 to 30 | 200 | 100 | 100 |
| 31 to 45 | 300 | 150 | 150 |
| 46 to 60 | 400 | 200 | 200 |
| 61 to 75 | 500 | 250 | 250 |
| > 75 | 600 | 300 | 300 |

CommScope pushes the boundaries of communications technology with game-changing ideas and ground-breaking discoveries that spark profound human achievement. We collaborate with our customers and partners to design, create and build the world's most advanced networks. It is our passion and commitment to identify the next opportunity and realize a better tomorrow. Discover more at commscope.com



commscope.com

Visit our website or contact your local CommScope representative for more information.

© 2020 CommScope, Inc. All rights reserved.

Unless otherwise noted, all trademarks identified by ® or ™ are registered trademarks or trademarks, respectively, of CommScope, Inc. This document is for planning purposes only and is not intended to modify or supplement any specifications or warranties relating to CommScope products or services. CommScope is committed to the highest standards of business integrity and environmental sustainability, with a number of CommScope's facilities across the globe certified in accordance with international standards, including ISO 9001, TL 9000, and ISO 14001. Further information regarding CommScope's commitment can be found at <https://www.commscope.com/corporate-responsibility-and-sustainability>.

TP-106296.1-EN (07/20)